
Comfort-Cire®

Century®

Service Manual

VFH-B Series

Inverter Multi Zone Ductless Mini-Split

A-VFH30QB-1

A-VFH36QB-1

A-VFH42PB-1



1900 Wellworth
Jackson, MI 49203



Attention

**ALL INVERTER MINI-SPLITS REQUIRE 14-4 STRANDED
WIRE BETWEEN THE INDOOR AND OUTDOOR UNITS
(NO EXCEPTIONS)**

14 AWG 4/C TRAY CABLE

A14/4SRBTHHNBK

14 AWG (19/0147) BC 4/C, THHN CONDUCTORS POWER & CONTROL

**TRAY CABLE TYPE TC CABLE FOR INSTALLATION IN
ACCORDANCE WITH ARTICLE 336 AND OTHER APPLICABLE PARTS
OF THE NATIONAL ELECTRIC CODE. 600V (UL) E123517 DIRECT
BURIAL SUNLIGHT RESISTANT PVC JACKET**

10/25/16

RoHS Compliant

MADE IN USA BLACK

MARS part:

7603-900: 30'

7603-901: 55'

7603-902: 250'

Table of Contents

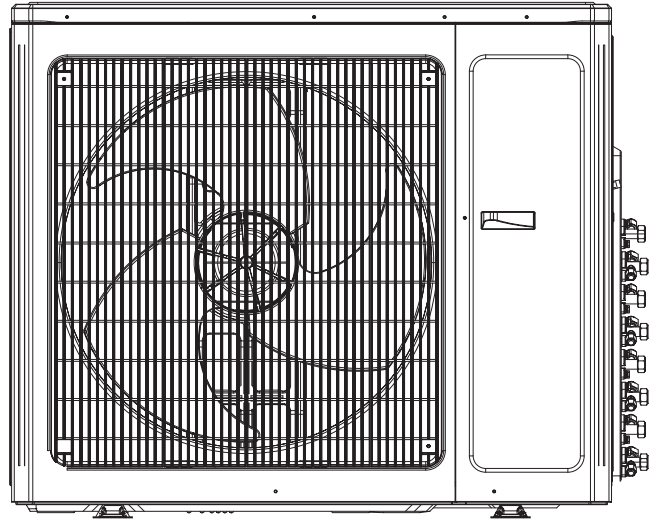
Part I : Technical Information	4
1. Summary	4
2. Specifications	5
2.1 Specification Sheet.....	5
2.2 Cooling Capacity Tables.....	9
3.Outline Dimension Diagram	12
4.Refrigerant System Diagram	13
5.Electrical Part	14
5.1 Wiring Diagram.....	14
5.2 PCB Printed Diagram.....	16
6.Function and Control	17
Part II : Installation and Maintenance	19
7.Safety Precautions	19
8.Installation Manual	21
8.1 Preparation before Installation.....	22
8.2 Installation Instruction.....	24
9.Troubleshooting	29
9.1 Malfunction Indicator.....	30
9.2 Malfunction Checking and Elimination.....	31
9.3 Maintenance Method for Normal Malfunction.....	35
10.Exploded View and Parts List	39
11.Removal Procedure	43
Appendix:	55
Appendix 1: Reference Sheet of Celsius and Fahrenheit.....	55
Appendix 2: Pipe expanding method.....	55
Appendix 3: List of Resistance for Temperature Sensor.....	57

Part I : Technical Information

1. Summary

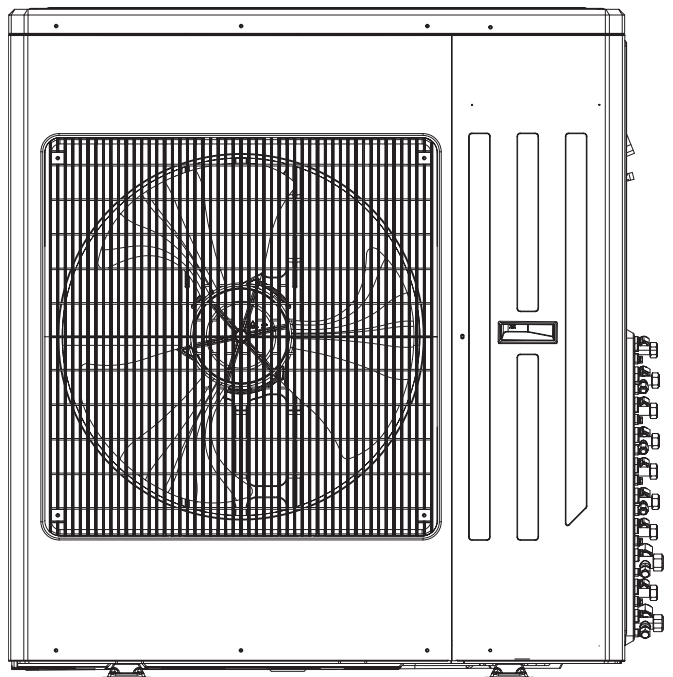
Outdoor Unit

A-VFH30QB-1



A-VFH30QB-1

A-VFH30QB-1



2. Specifications

2.1 Specification Sheet

Model		A-VFH30QB-1		
Product Code		CB228W07900_L61437		
Power supply	Rated Voltage	V~	208/230	
	Rated Frequency	Hz	60	
	Phases		1	
Cooling capacity		Btu/h	28500	
Heating capacity		Btu/h	30000	
Cooling Power Input		W	2280	
Heating Power Input		W	2350	
Cooling Current Input		A	9.91	
Heating Current Input		A	10.22	
Rated Power Input		W	3800	
Rated Current		A	16.86	
EER		(Btu/h)/W	12.50	
COP		(Btu/h)/W	12.76	
SEER			21.00	
HSPF			10.50	
Outdoor Unit	Compressor Trademark		ZHUHAI LANDA COMPRESSOR CO.LTD	
	Compressor Model		QXAS-D32zX090A	
	Compressor Refrigerant Oil Type		RB68EP	
	Compressor Type		Inverter Rotary	
	L.R.A		A	30
	Compressor Rated Load Amp (RLA)		A	13.9
	Compressor Power Input		W	4150
	Compressor Thermal Protector			1NT11L—6233
	Throttling Method			Electron expansion valve
	Cooling Operation Ambient Temperature Range		°F	0~118
	Heating Operation Ambient Temperature Range		°F	-4~86
	Condenser Material			Aluminum Fin-copper Tube
	Condenser Pipe Diameter		inch	Φ5/16
	Rows-Fin Gap(mm)		inch	2-1/16
	Coil length (l) X height (H) X coil width (L)		inch	27 7/16X29 7/16X12 13/64
	Fan Motor Speed (rpm) (H/M/L)		rpm	630
	Output of Fan Motor		W	60
	Fan Motor RLA		A	/
	Fan Motor Capacitor		μF	/
	Air Flow Volume of Outdoor Unit		CFM	2330
	Fan Type-Piece			Axial-flow
	Fan Diameter		inch	Φ21.6-4.7
	Defrosting Method			Automatic Defrosting
	Climate Type			T1
	Isolation			I
	Moisture Protection			IPX4
	Permissible Excessive Operating Pressure for the Discharge Side		PSIG	550
	Permissible Excessive Operating Pressure for the Suction Side		PSIG	240
	Dimension (WXHXD)		inch	38 27/64X31 7/64X17 21/64
	Dimension of Package (LXWXH)		inch	42 1/2X19X33
	Dimension of Package(LXWXH)		inch	42 43/64X19 13/64X33 43/64
	Net Weight		lb	145.5
Gross Weight		lb	154.4	
Refrigerant Charge			R410A	
Refrigerant Charge		oz	98.8	

Outdoor Unit	Cross-sectional Area of Power Cable Conductor	sq in	0.0062
	Recommended Power Cable(Core)	N	3
	Connection Pipe Connection Method	-	Flare Connection
	Not Additional Gas Connection Pipe Length	ft	131.2
	Connection Pipe Gas Additional Charge	oz/ft.	0.2
	Outer Diameter of Liquid Pipe1	inch	1/4
	Outer Diameter of Liquid Pipe2	inch	1/4
	Outer Diameter of Liquid Pipe3	inch	1/4
	Outer Diameter of Liquid Pipe4	inch	1/4
	Outer Diameter of Gas Pipe1	inch	3/8
	Outer Diameter of Gas Pipe2	inch	3/8
	Outer Diameter of Gas Pipe3	inch	3/8
	Outer Diameter of Gas Pipe4	inch	3/8
	Connection Pipe Max. Height Distance (indoor and indoor)	ft	24.6
	Connection Pipe Max. Height Distance (indoor and outdoor and indoor up)	ft	49.2
	Connection Pipe Max. Height Distance (indoor and outdoor and outdoor up)	ft	49.2
Max. equivalent connection pipe length (outdoor to last indoor)	ft	82.0	
Connection Pipe Max. Length Distance (total length)	ft	229.7	

The above data is subject to change without notice; please refer to the nameplate of the unit.

Model			A-VFH36QB-1	A-VFH42PB-1	
Product Code			CB228W08000_L61437	CN860W0180_L61437	
Power supply	Rated Voltage	V~	208/230	208/230	
	Rated Frequency	Hz	60	60	
	Phases		1	1	
Cooling capacity		Btu/h	34000	36000	
Heating capacity		Btu/h	42500	43000	
Cooling Power Input		W	2800	3740	
Heating Power Input		W	3350	3650	
Cooling Current Input		A	12.5	16.5	
Heating Current Input		A	15	16	
Rated Power Input		W	3800	4000	
Rated Current		A	30	30	
EER		(Btu/h)/W	12.14	9.63	
COP		(Btu/h)/W	12.69	11.78	
SEER			21.00	21.00	
HSPF			10.20	10.20	
Outdoor Unit	Compressor Trademark		ZHUHAI LANDA COMPRESSOR CO.LTD	ZHUHAI LANDA COMPRESSOR CO.LTD	
	Compressor Model		QXAS-D32zX090A	QXAS-D32zX090A	
	Compressor Refrigerant Oil Type		RB68EP		
	Compressor Type		Inverter Rotary	Inverter Rotary	
	L.R.A		A	30	30
	Compressor Rated Load Amp (RLA)		A	15.6	17.8
	Compressor Power Input		W	4150	4150
	Compressor Thermal Protector			1NT11L—6233	1NT11L—6233
	Throttling Method			Electron expansion valve	Electron expansion valve
	Cooling Operation Ambient Temperature Range		°F	0~118	0~118
	Heating Operation Ambient Temperature Range		°F	-4~86	-4~86
	Condenser Material			Aluminum Fin-copper Tube	Aluminum Fin-copper Tube
	Condenser Pipe Diameter		inch	Φ5/16	Φ5/16
	Rows-Fin Gap(mm)		inch	2-1/16	2-1/16
	Coil length (l) X height (H) X coil width (L)		inch	27 7/16X29 7/16X12 13/64	27 7/16X29 7/16X12 13/64
	Fan Motor Speed (rpm) (H/M/L)		rpm	850	850
	Output of Fan Motor		W	140	140
	Fan Motor RLA		A	/	/
	Fan Motor Capacitor		μF	/	/
	Air Flow Volume of Outdoor Unit		CFM	4531	4531
	Fan Type-Piece			Axial-flow	Axial-flow
	Fan Diameter		inch	Φ22.4—5.98	Φ22.4—5.98
	Defrosting Method			Automatic Defrosting	Automatic Defrosting
	Climate Type			T1	T1
	Isolation			I	I
	Moisture Protection			IPX4	IPX4
	Permissible Excessive Operating Pressure for the Discharge Side		PSIG	550	550
	Permissible Excessive Operating Pressure for the Suction Side		PSIG	240	240
	Dimension (W/H/D)		inch	42 1/2X43 27/64X17 21/64	42 1/2X43 27/64X17 21/64
	Dimension of Package (L/W/H)		inch	46X18 57/64X43 57/64	46X18 57/64X43 57/64
	Dimension of Package(L/W/H)		inch	46 1/6X19X44 1/2	46 1/6X19X44 1/2
	Net Weight		lb	198.5	198.5
Gross Weight		lb	216.1	216.1	
Refrigerant Charge			R410A	R410A	
Refrigerant Charge		oz	128.8	128.8	

Outdoor Unit	Cross-sectional Area of Power Cable Conductor	sq in	0.0062	0.0062
	Recommended Power Cable(Core)	N	3	3
	Connection Pipe Connection Method	-	Flare Connection	Flare Connection
	Factory charge good for:	ft	131.2	131.2
	Connection Pipe Gas Additional Charge	oz/ft.	0.2	0.2
	Outer Diameter of Liquid Pipe1	inch	1/4	1/4
	Outer Diameter of Liquid Pipe2	inch	1/4	1/4
	Outer Diameter of Liquid Pipe3	inch	1/4	1/4
	Outer Diameter of Liquid Pipe4	inch	1/4	1/4
	Outer Diameter of Liquid Pipe4	inch	1/4	1/4
	Outer Diameter of Gas Pipe1	inch	3/8	3/8
	Outer Diameter of Gas Pipe2	inch	3/8	3/8
	Outer Diameter of Gas Pipe3	inch	3/8	3/8
	Outer Diameter of Gas Pipe4	inch	3/8	3/8
	Outer Diameter of Gas Pipe4	inch	3/8	3/8
	Connection Pipe Max. Height Distance (indoor and indoor)	ft	24.6	24.6
	Connection Pipe Max. Height Distance (indoor and outdoor and indoor up)	ft	49.2	49.2
Max. equivalent connection pipe length (outdoor to last indoor)	ft	82.0	82.0	
Connection Pipe Max. Length Distance (total length)	ft	246.1	246.1	

The above data is subject to change without notice; please refer to the nameplate of the unit.

2.2 Cooling Capacity Tables

Cooling

ROOM	MODEL:30K	OUTDOOR TEMPERATURE DRY					
INDOOR TEMPERATURE	CONNECTIVE INDOOR UNIT: GWH09TB-D3DNA1A/I×2 GWH12TB-D3DNA1A/I×1	20°C	25°C	30°C	35°C	40°C	45°C
		68°F	77°F	86°F	95°F	104°F	113°F
21°C(70°F) D 15°C(59°F) W	Total capacity(W)	7186	8391	9044	8474	6697	5228
	Sensitive capacity(W)	6194	6818	7084	6779	6127	5175
	Total power input(W)	1736	2108	2826	3099	2566	2172
	Sensitive capacity(W)/ Total capacity(W)%	85.3	81.2	78.3	79.9	91	98.9
24°C(75°F) D 17°C(63°F) W	Total capacity(W)	8074	9106	9696	9149	7195	5631
	Sensitive capacity(W)	6950	7474	7659	7414	6703	5585
	Total power input(W)	1760	2111	2853	3121	2583	2207
	Sensitive capacity(W)/ Total capacity(W)%	85.65	82	78.9	81	93.1	99.1
27°C(80°F) D 19°C(67°F) W	Total capacity(W)	8884	9921	10310	9863	7635	7543
	Sensitive capacity(W)	7533	8027	9587	7665	7169	7359
	Total power input(W)	2009	2365	2905	3206	2773	2835
	Sensitive capacity(W)/ Total capacity(W)%	84.55	80.9	92.9	76.9	93.8	97.5
32°C(90°F) D 23°C(73°F) W	Total capacity(W)	9152	10953	11606	10847	8300	6389
	Sensitive capacity(W)	8558	8374	8584	8359	7377	6268
	Total power input(W)	2025	2402	2955	3267	2668	2244
	Sensitive capacity(W)/ Total capacity(W)%	93.5	76.4	80.9	77	88.8	98

Heating

ROOM	MODEL:30K	OUTDOOR TEMPERATURE DRY					
INDOOR TEMPERATURE	CONNECTIVE INDOOR UNIT: GWH09TB-D3DNA1A/I×2 GWH12TB-D3DNA1A/I×1	-13.88°C(7°F)D	-8.33°C(17°F)D	-2.22°C(28°F)D	3.33°C(38°F)D	8.33°C(47°F) D	13.89°C(57°F) D
		-15°C(5°F)W	-9.44°C(15°F)W	-3.89°C(25°F)W	1.67°C(35°F)W	6.11°C(43°F)W	12.7°C(55°F) W
15°C(59°F) D 10°C(50°F) W	Total capacity(W)	6560	6580	8050	10880	11300	11800
	Sensitive capacity(W)	6560	6580	8050	10880	11300	11800
	Total power input(W)	2820	2150	2750	2850	2950	2480
	Sensitive capacity(W)/ Total capacity(W)%	100	100	100	100	100	100
	Total capacity(W)	6400	6530	8200	9000	11050	11600
18°C(64°F) D 12°C(54°F) W	Sensitive capacity(W)	6400	6530	8200	9000	11050	11600
	Total power input(W)	2950	2280	2980	2950	3100	2630
	Sensitive capacity(W)/ Total capacity(W)%	100	100	100	100	100	100
	Total capacity(W)	6450	6450	7900	8850	10750	11450
	Sensitive capacity(W)	6450	6450	7900	8850	10750	11450
21°C(70°F) D 15°C(59°F) W	Total power input(W)	3100	2400	3080	3100	3220	2750
	Sensitive capacity(W)/ Total capacity(W)%	100	100	100	100	100	100
	Total capacity(W)	6400	6380	7950	8550	10650	11080
	Sensitive capacity(W)	6400	6380	7950	8550	10650	11080
24°C(75°F) D 17°C(63°F) W	Total power input(W)	3150	2500	3130	3200	3400	2930
	Sensitive capacity(W)/ Total capacity(W)%	100	100	100	100	100	100
	Total capacity(W)	6400	6380	7950	8550	10650	11080
	Sensitive capacity(W)	6400	6380	7950	8550	10650	11080

Cooling

ROOM	MODEL:36K	OUTDOOR TEMPERATURE DRY					
INDOOR TEMPERATURE	CONNECTIVE INDOOR UNIT: GWH09TB-D3DNA1A/I×4	20°C	25°C	30°C	35°C	40°C	45°C
		68°F	77°F	86°F	95°F	104°F	113°F
21°C(70°F) D 15°C(59°F) W	Total capacity(W)	9560	10300	10400	9430	8045	6900
	Sensitive capacity(W)	8662	8880	8900	8435	7750	6800
	Total power input(W)	2010	2450	3120	3300	3075	2765
	Sensitive capacity(W)/ Total capacity(W)%	90.6	86.2	85.6	89.4	96.3	98.6
24°C(75°F) D 17°C(63°F) W	Total capacity(W)	9795	11500	11265	10500	8820	7515
	Sensitive capacity(W)	8805	9205	9485	9160	8365	7305
	Total power input(W)	1995	2435	3125	3400	3085	2790
	Sensitive capacity(W)/ Total capacity(W)%	89.9	80.0	84.2	87.2	94.8	97.2
27°C(80°F) D 19°C(67°F) W	Total capacity(W)	10135	11370	11425	10575	9025	7900
	Sensitive capacity(W)	9300	9610	9675	9355	8750	7555
	Total power input(W)	2010	2440	3160	3335	3115	2800
	Sensitive capacity(W)/ Total capacity(W)%	91.8	84.5	84.7	88.5	97.0	95.6
32°C(90°F) D 23°C(73°F) W	Total capacity(W)	12170	13200	13250	12020	10390	8700
	Sensitive capacity(W)	9875	10220	10155	10045	9575	8450
	Total power input(W)	2025	2430	3185	3405	3145	2825
	Sensitive capacity(W)/ Total capacity(W)%	81.1	77.4	76.6	83.6	92.2	97.1

Heating

ROOM	MODEL:36K	OUTDOOR TEMPERATURE DRY					
INDOOR TEMPERATURE	CONNECTIVE INDOOR UNIT: GWH09TB-D3DNA1A/I×4	-13.88°C(7°F)D	-8.33°C(17°F)D	-2.22°C(28°F)D	3.33°C(38°F)D	8.33°C(47°F) D	13.89°C(57°F) D
		-15°C(5°F)W	-9.44°C(15°F)W	-3.89°C(25°F)W	1.67°C(35°F)W	6.11°C(43°F)W	12.7°C(55°F) W
15°C(59°F) D 10°C(50°F) W	Total capacity(W)	7480	8880	9720	12050	11400	12000
	Sensitive capacity(W)	7480	8880	9720	12050	11400	12000
	Total power input(W)	3450	3200	2960	3280	2370	2000
	Sensitive capacity(W)/ Total capacity(W)%	100	100	100	100	100	100
18°C(64°F) D 12°C(54°F) W	Total capacity(W)	7680	8750	9540	11700	11250	11800
	Sensitive capacity(W)	7680	8750	9540	11700	11250	11800
	Total power input(W)	3440	3360	3100	3300	2520	2140
	Sensitive capacity(W)/ Total capacity(W)%	100	100	100	100	100	100
21°C(70°F) D 15°C(59°F) W	Total capacity(W)	8275	8720	9500	11500	11000	11500
	Sensitive capacity(W)	8275	8720	9500	11500	11000	11500
	Total power input(W)	3690	3490	3240	3580	2660	2250
	Sensitive capacity(W)/ Total capacity(W)%	100	100	100	100	100	100
24°C(75°F) D 17°C(63°F) W	Total capacity(W)	8460	8800	9360	10690	10580	11300
	Sensitive capacity(W)	8460	8800	9360	10690	10580	11300
	Total power input(W)	3785	3600	3410	3580	2780	2420
	Sensitive capacity(W)/ Total capacity(W)%	100	100	100	100	100	100

Cooling

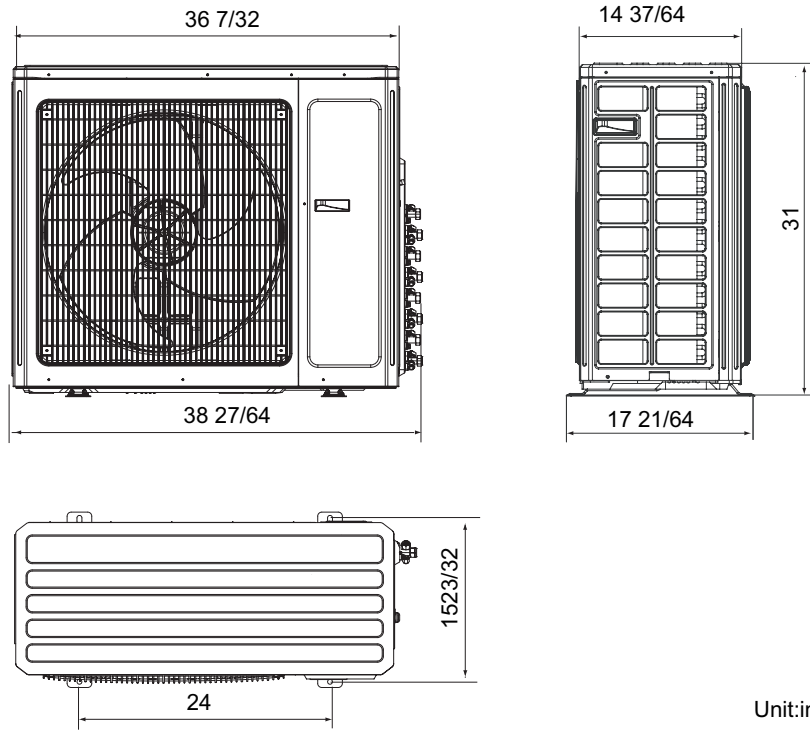
ROOM	MODEL:42K	OUTDOOR TEMPERATURE DRY					
INDOOR TEMPERATURE	CONNECTIVE INDOOR UNIT: GWH09TB-D3DNA1A/I×2 GWH12TB-D3DNA1A/I×2	20°C	25°C	30°C	35°C	40°C	45°C
		68°F	77°F	86°F	95°F	104°F	113°F
21°C(70°F) D 15°C(59°F) W	Total capacity(W)	9675	10320	10700	9900	8640	6800
	Sensitive capacity(W)	8720	8550	8510	8600	8000	6590
	Total power input(W)	1980	2480	3650	3635	3600	2750
	Sensitive capacity(W)/ Total capacity(W)%	90.1	82.8	79.5	86.9	92.6	96.9
24°C(75°F) D 17°C(63°F) W	Total capacity(W)	9840	11130	11295	10730	9915	7555
	Sensitive capacity(W)	8615	9075	9155	9320	9065	7200
	Total power input(W)	1990	2685	3555	3485	3645	2775
	Sensitive capacity(W)/ Total capacity(W)%	87.6	81.5	81.1	86.9	91.4	95.3
27°C(80°F) D 19°C(67°F) W	Total capacity(W)	10990	12130	12700	11960	10250	8400
	Sensitive capacity(W)	9415	9830	10000	9900	9550	7820
	Total power input(W)	2000	2820	3600	3590	3670	2800
	Sensitive capacity(W)/ Total capacity(W)%	85.7	81.0	78.7	82.8	93.2	93.1
32°C(90°F) D 23°C(73°F) W	Total capacity(W)	13150	14010	14235	12135	11100	8750
	Sensitive capacity(W)	10005	10100	10355	9910	9590	8215
	Total power input(W)	2210	2515	3280	3555	3735	2830
	Sensitive capacity(W)/ Total capacity(W)%	76.1	72.1	72.7	81.7	86.4	93.9

Heating

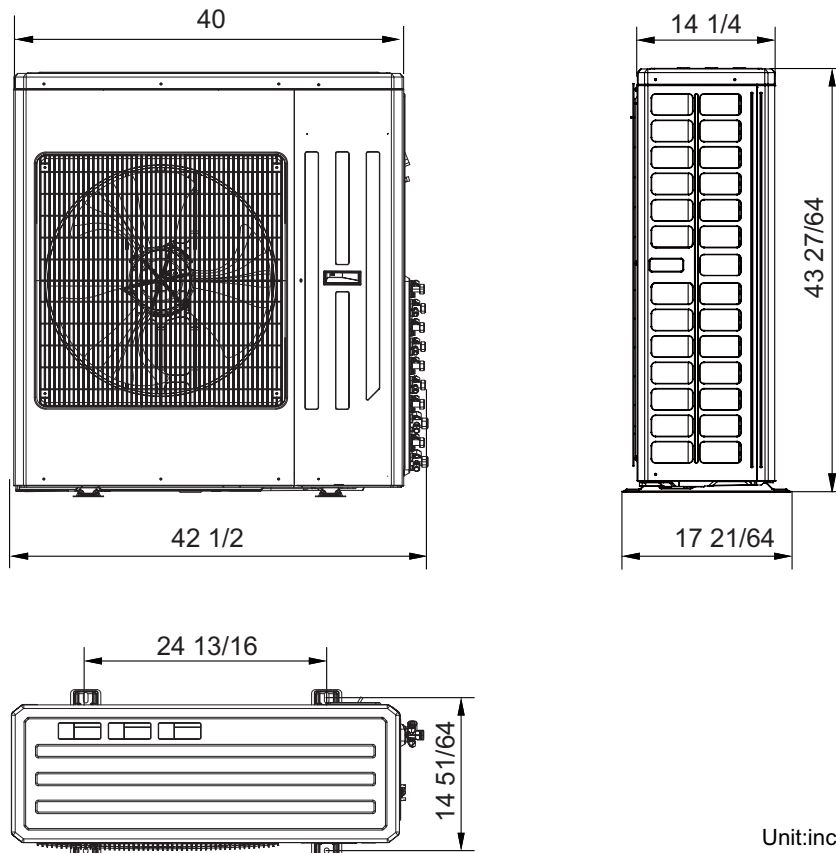
ROOM	MODEL:42K	OUTDOOR TEMPERATURE DRY					
INDOOR TEMPERATURE	CONNECTIVE INDOOR UNIT: GWH09TB-D3DNA1A/I×2 GWH12TB-D3DNA1A/I×2	-13.88°C(7°F)D	-8.33°C(17°F)D	-2.22°C(28°F)D	3.33°C(38°F)D	8.33°C(47°F) D	13.89°C(57°F) D
		-15°C(5°F)W	-9.44°C(15°F)W	-3.89°C(25°F)W	1.67°C(35°F)W	6.11°C(43°F)W	12.7°C(55°F) W
15°C(59°F) D 10°C(50°F) W	Total capacity(W)	7990	9122	9249	12680	11470	11800
	Sensitive capacity(W)	7990	9122	9249	12680	11470	11800
	Total power input(W)	3580	3380	3320	3580	2380	2020
	Sensitive capacity(W)/ Total capacity(W)%	100.0	100.0	100.0	100.0	100.0	100.0
18°C(64°F) D 12°C(54°F) W	Total capacity(W)	8100	9080	9400	12700	11250	11700
	Sensitive capacity(W)	8100	9080	9400	12700	11250	11700
	Total power input(W)	3550	3400	3300	3625	2530	2150
	Sensitive capacity(W)/ Total capacity(W)%	100.0	100.0	100.0	100.0	100.0	100.0
21°C(70°F) D 15°C(59°F) W	Total capacity(W)	8328	9053	9345	12200	11000	11420
	Sensitive capacity(W)	8328	9053	9345	12200	11000	11420
	Total power input(W)	3660	3570	3400	3760	2650	2300
	Sensitive capacity(W)/ Total capacity(W)%	100.0	100.0	100.0	100.0	100.0	100.0
24°C(75°F) D 17°C(63°F) W	Total capacity(W)	8230	8960	8750	12100	10820	11400
	Sensitive capacity(W)	8230	8960	8750	12100	10820	11400
	Total power input(W)	3760	3690	3400	3910	2820	2420
	Sensitive capacity(W)/ Total capacity(W)%	100.0	100.0	100.0	100.0	100.0	100.0

3. Outline Dimension Diagram

A-VFH30QB-1

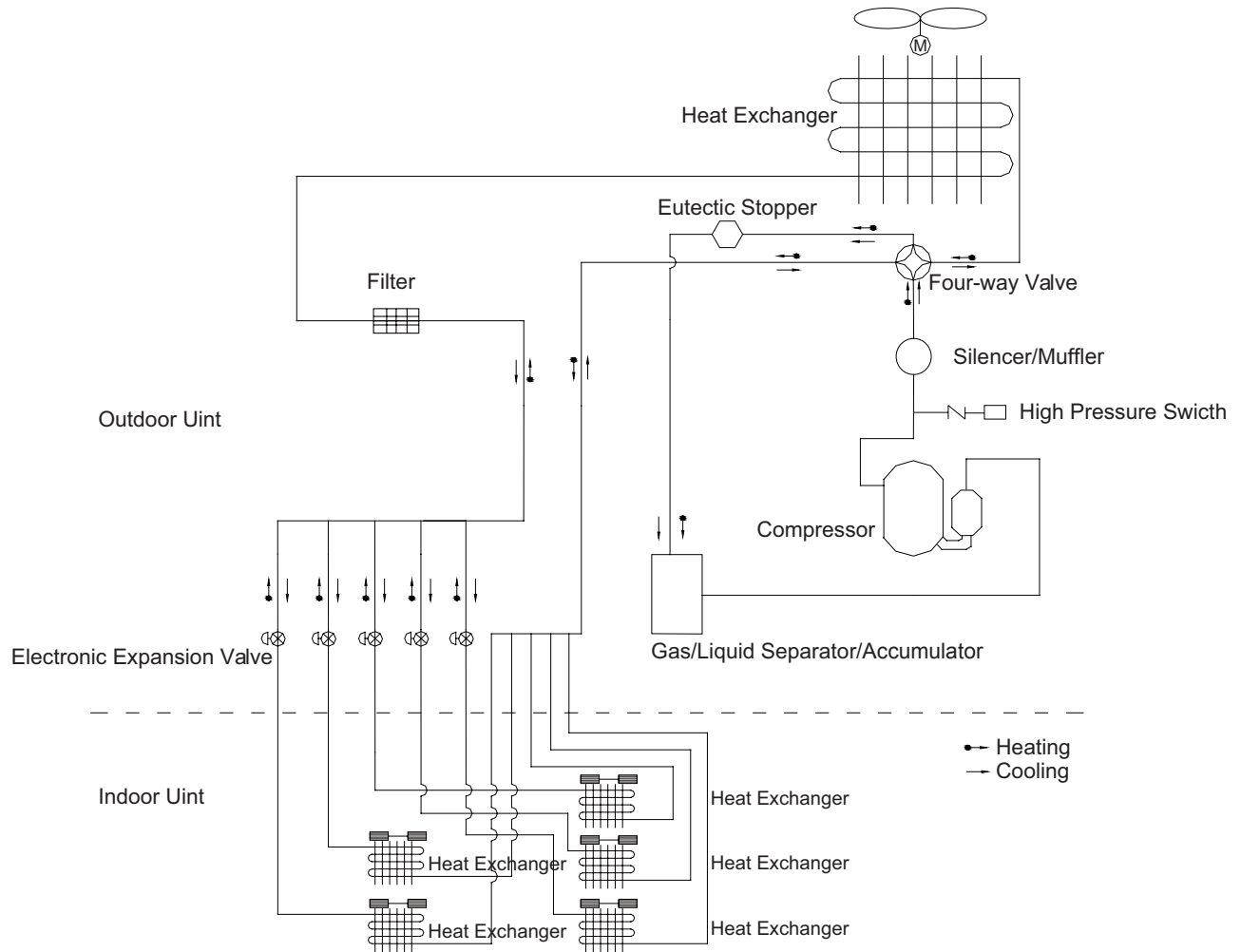


A-VFH36QB-1 A-VFH42PB-1



4. Refrigerant System Diagram

Schematic Diagram of Free Match Series Inverter Heat Pump System



Schematic Diagram of Free Match Series Inverter Heat Pump System

The outdoor and indoor units start to work once the power is switched on. During the cooling operation, the low temperature, low pressure refrigerant gas from the heat exchanger of each indoor unit gets together and then is taken into the compressor to be compressed into high temperature, high pressure gas, which will soon go to the heat exchanger of the outdoor unit to exchange heat with the outdoor air and then is turned into refrigerant liquid. After passing through the throttling device, the temperature and pressure of the refrigerant liquid will further decrease and then go the main valve. After that, it will be divided and go to the heat exchanger of each indoor unit to exchange heat with the air which needs to be conditioned. Consequently, the refrigerant liquid become low temperature, low pressure refrigerant gas again. Such a refrigeration cycle goes round and round to achieve the desired refrigeration purpose. During the heating operation, the four-way valve is involved to make the refrigeration cycle run reverse. The refrigerant radiates heat in the heat exchanger of the indoor unit and absorbs heat in the heat exchanger of the outdoor unit for a heat pump heating cycle so as to achieve the desired heating function.

5. Electrical Part

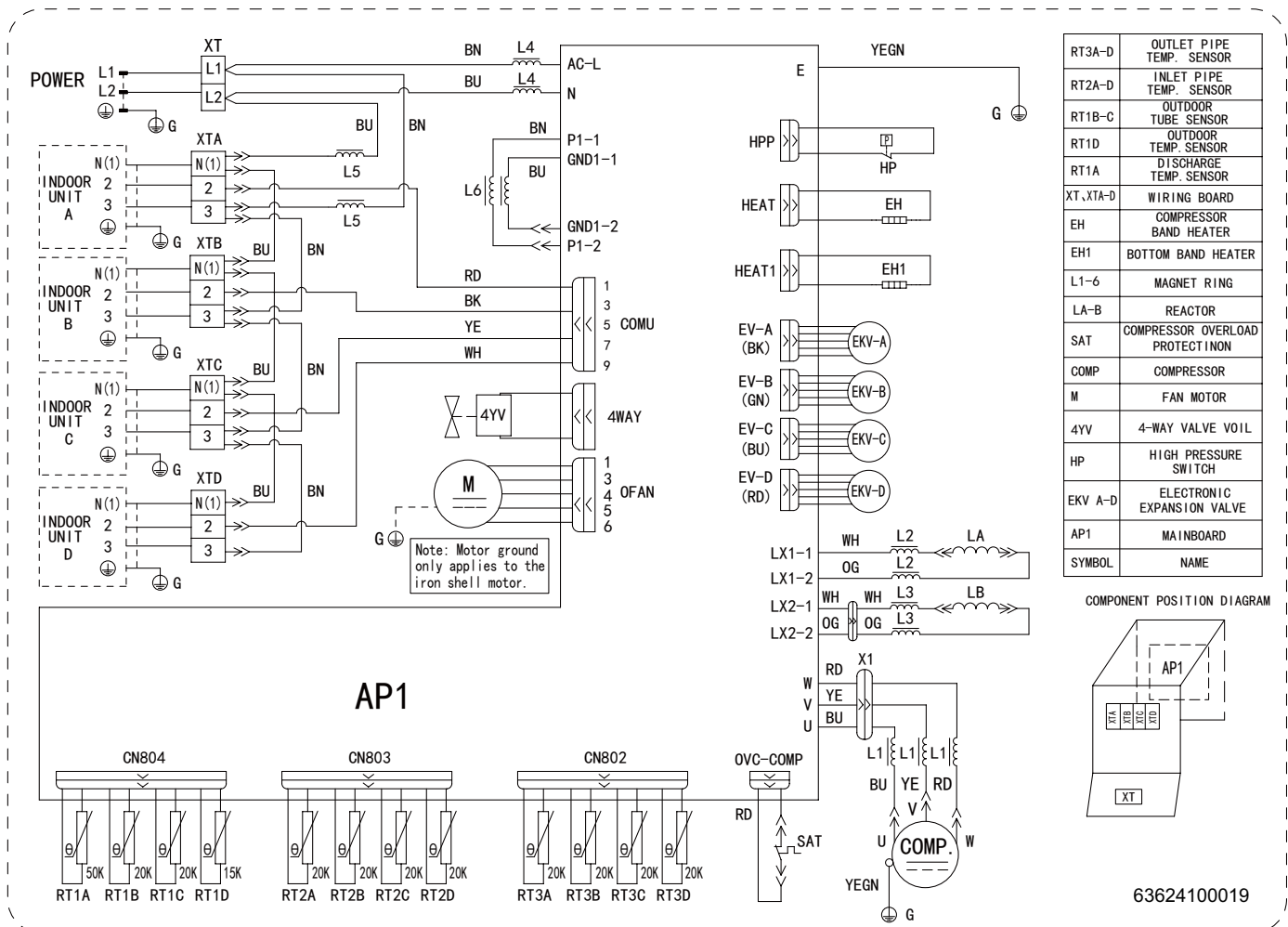
5.1 Wiring Diagram

● Instruction

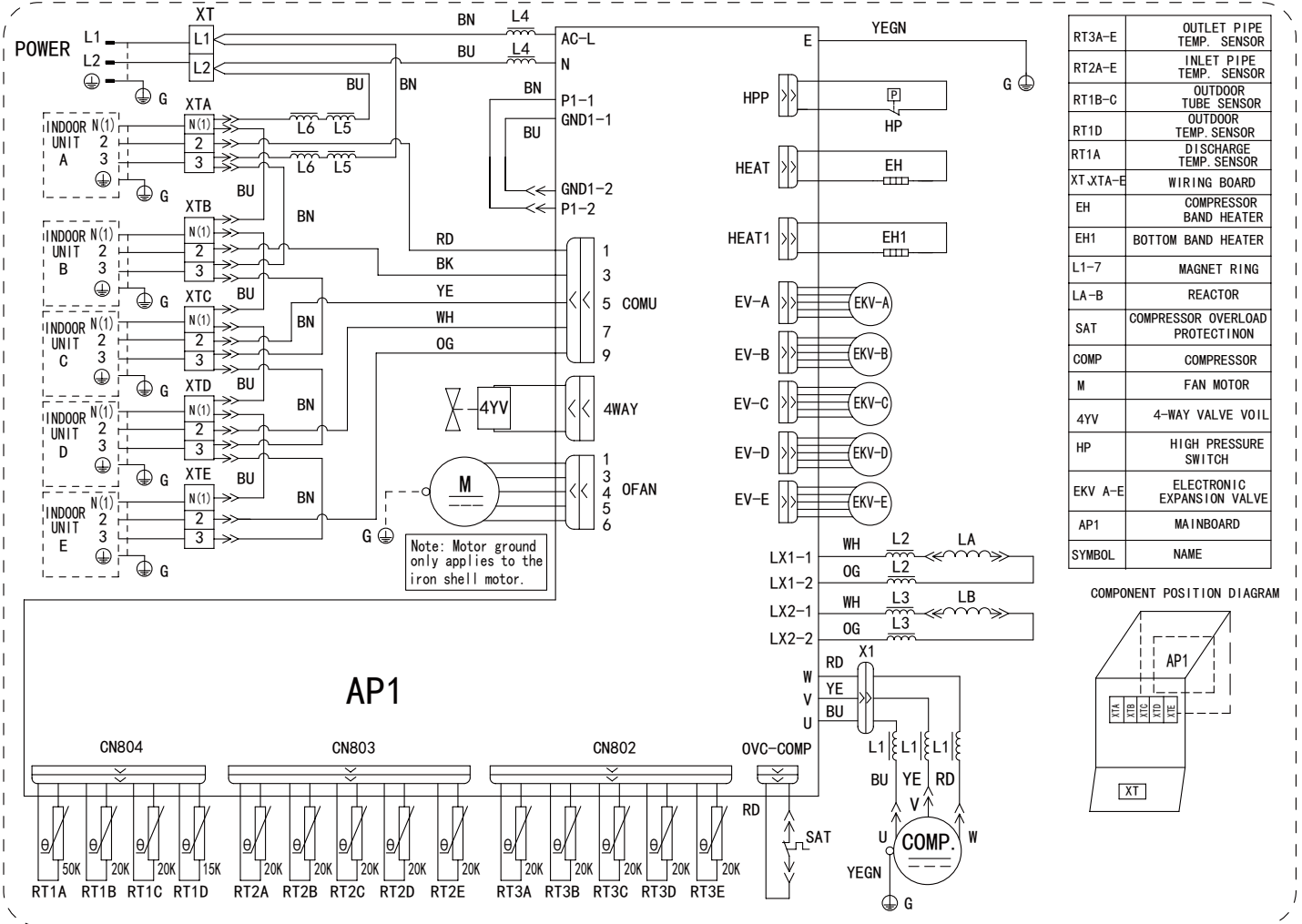
Symbol	Symbol Color	Symbol	Symbol Color	Symbol	Name
WH	White	GN	GREEN	COMP	Compressor
YE	Yellow	BN	Brown		Grounding wire
RD	Red	BU	Blue		
YEGN	Yellow/Green	BK	Black		
VT	Violet	OG	Orange		

● Outdoor Unit

A-VFH30QB-1



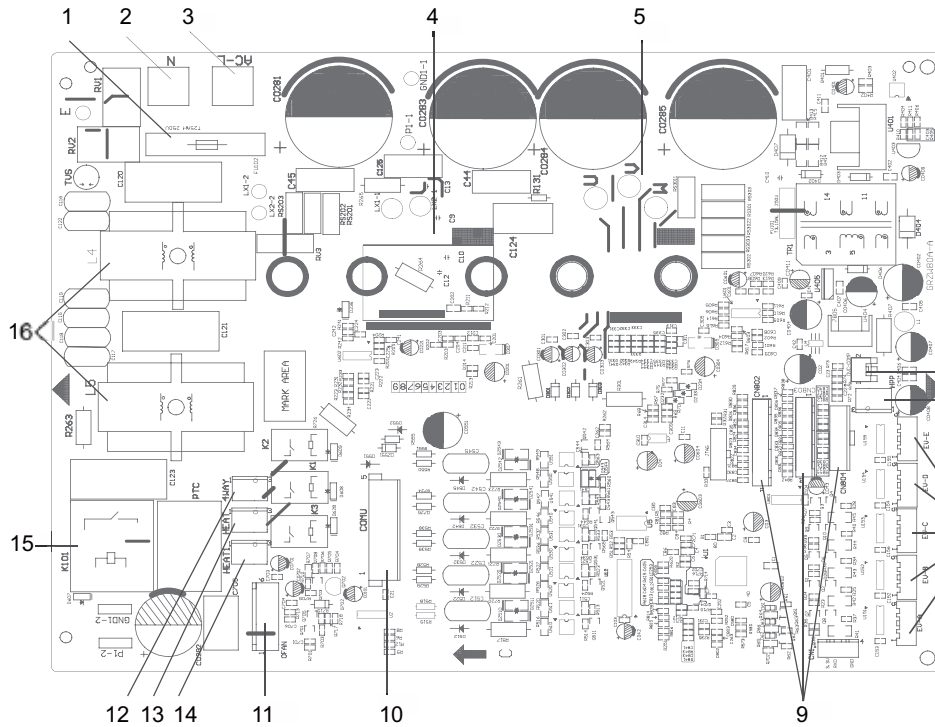
A-VFH36QB-1 A-VFH42PB-1



These circuit diagrams are subject to change without notice, please refer to the one supplied with the unit.

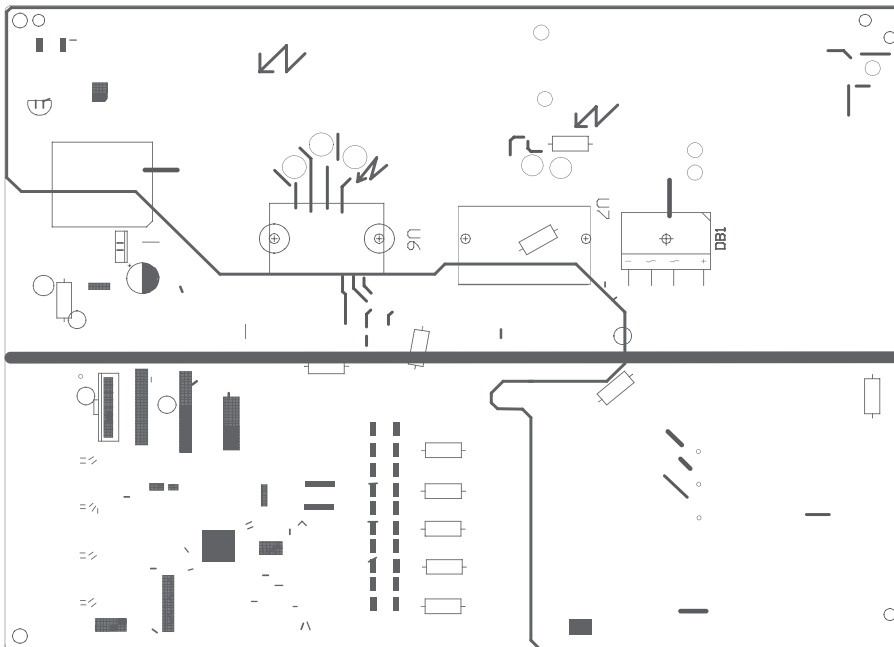
5.2 PCB Printed Diagram

• TOP VIEW



1	T25AH 250V: Fuse
2	N: terminals of neural wire
3	AC-L: terminals of line wire
4	PFC electrocircuit
5	U/V/W: terminals of compressor
6	OVC-COMP: terminals of overload protector
7	HPP: terminals of high pressure switch
8	EVA-EVE: terminals of EXV (electronic expansion valve)
9	CN802-CN803: terminals of temperature sensor
10	COMU: terminals of communication
11	OFAN: terminals of fan
12	4WAY: terminals of 4-way valve
13	HEAT: terminals of compressor band heater
14	HEAT1: terminals of bottom band heater
15	K101: Main relay
16	L4-L5: choke

• BOTTOM VIEW



6. Function and Control

1. Function Control

1) Cooling mode

- a. Turning on the unit for cooling operation, and if any one of the indoor units satisfy the cooling operation condition, the system will start for cooling operation; and the electronic expansion valve, the outdoor fan and the compressor start operation.
- b. When some of the indoor units satisfy the stop-condition while other indoor units do not satisfy the stop-condition, the compressor does not stop. The compressor will adjust to the frequency according to demand. When each indoor unit stops the corresponding electronic expansion valve will close.
- c. Change Cooling mode to heating mode
When changing the unit to heating mode from cooling mode, the whole system will stop first. Then the system will restart in heating mode after the compressor stops.
- d. 4-way valve
In this mode, the 4-way valve is closed.
- e. Outdoor fan control in cooling mode
The outdoor fan starts 5s before starting compressor. The outdoor fan will first run in high speed after starting, then it will run at staged speed.

2) Dry mode (dehumidification mode)

This mode is the same as cooling mode;

3) Heating mode

- a. Turning on the unit for heating operation, If any one of the indoor units satisfy the heating condition, the system will start to run in heating mode
- b. If all the indoor units satisfy the stop-condition, the compressor stops and the outdoor fan stops after 1min;
- c. If only part of the indoor units satisfy the stop-condition, the compressor decrease the frequency immediately and operates according to demand.
- d. Change Heating mode to cooling mode or dehumidification mode, the whole system will stop first, then restart under the required mode.
- e. Defrosting function
When the defrosting condition is satisfied, the 4-way valve reverses the direction, the outdoor fan stop. After the 4-way valve reverses the direction, the frequency of compressor rises, and the unit will start defrosting under cooling cycle.
- f. Oil-return control in heating mode
a) If the whole system runs in low frequency for a long time, the system will run a oil-return operation in high frequency, the oil-return operation runs for 60 seconds.

4) Fan mode

Only indoor fan run. Compressor, outdoor fan and 4-way valve are closed .

2. Protection Function

1) Mode conflict protection of indoor units

When the setting mode is different of different indoor unit, the unit runs in below status:

- a. The system mode is determined by the first turning on indoor unit except indoor unit is in fan mode. Cooling mode (dry mode) is in conflict with heating mode.
- b. If the first turning on unit is fan mode, and the second turning on unit is cooling or heating mode, then the system will run in cooling or heating mode.

2) Overload protection

If the pipe temperature at the high pressure side is higher than normal, the compressor frequency is restricted or decreased to lower operation frequency.

3) High exhaust temperature protection

If the discharge temperature is higher than protection value, the compressor stops running. If the exhaust temperature protection continuously appears for 6 times, the compressor can't resume running. In this case, only by cutting off the power and then reenergizing can the compressor restart. If the running duration of the compressor is longer than 10min, the protection times will be cleared to zero time.

4) Communication malfunction

Detection of the quantity of installed indoor units: after 3min of energizing, if the outdoor unit does not receive the communication data of any indoor unit, the outdoor unit will judge that indoor unit is not installed. If the outdoor unit receives the communication data of that indoor unit later, the communication malfunction will be cleared.

5) System high-pressure protection

- a. When the high-pressure switch detects the system pressure higher than limit, then the high-pressure switch cuts off, the system will stop.
- b. If high-pressure protection is detected, system power must be manually turned off and back on. In this case, only by cutting off the power and then re-energizing can the compressor restart.

6) Compressor overload protection

No matter the compressor is on or off, when the compressor overload switch is detected activated, the system will stop and indoor unit will display H3 if the compressor overload protection appears for more than 6 times. If the running duration of the compressor is longer than 30min, the protection times will be cleared to zero.

7) Antifreeze protection

Under cooling and dry mode, 6 minutes after the compressor is started:

When it is detected for 10 minutes successively that Tevap. is less than 28°F (varying with indoor unit), the antifreeze protection will be activated, in which case the outdoor unit will immediately shut off the indoor electronic expansion valve and the capacity will be set to "0". If Tevap. exceeds 50°F and the compressor has remained OFF for at least 3 minutes, the compressor will resume its original operation.

Part II : Installation and Maintenance

7. Safety Precautions



Forbidden Items! It indicates that improper operation might lead to human casualty or sever injury.



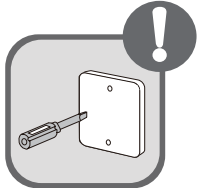
Items need to be followed. It indicates that improper operation might lead to personal injury or property damage.



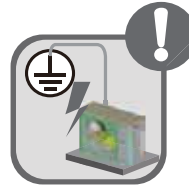
Follow these instructions to complete the installation work. Please read this manual carefully before unit startup and service.



Installation should be conducted by dealer or qualified personnel. Please do not attempt to install the unit by yourself. Improper handling may result in water leakage, electric shock or fire disaster, etc.



Before installation, please check to make sure power supply is in accordance with the requirements specified on the nameplate.



Make sure the unit can be grounded properly to avoid electric shock. Please do not connect the groundwire to gas pipe, water pipe, lightning rod or telephone line.



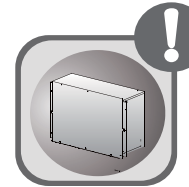
Be sure to use the exclusive accessories and parts to prevent water leakage, electric shock and fire accidents.



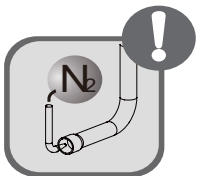
If refrigerant leakage happens during installation, please ventilate immediately. Poisonous gas will be created if the refrigerant gas meets fire.



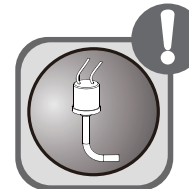
Wire size of power cord should be large enough. The damaged power cord and connection wire should be replaced by appropriate cable.



After connecting the power cord, please fix the electric box cover properly in order to avoid accident.



Always comply with the nitrogen charge requirements. Charge nitrogen when welding pipes.



Never short-circuit or cancel the pressure switch to prevent unit damage.



Please connect the wired controller before energization, otherwise wired controller cannot be used.



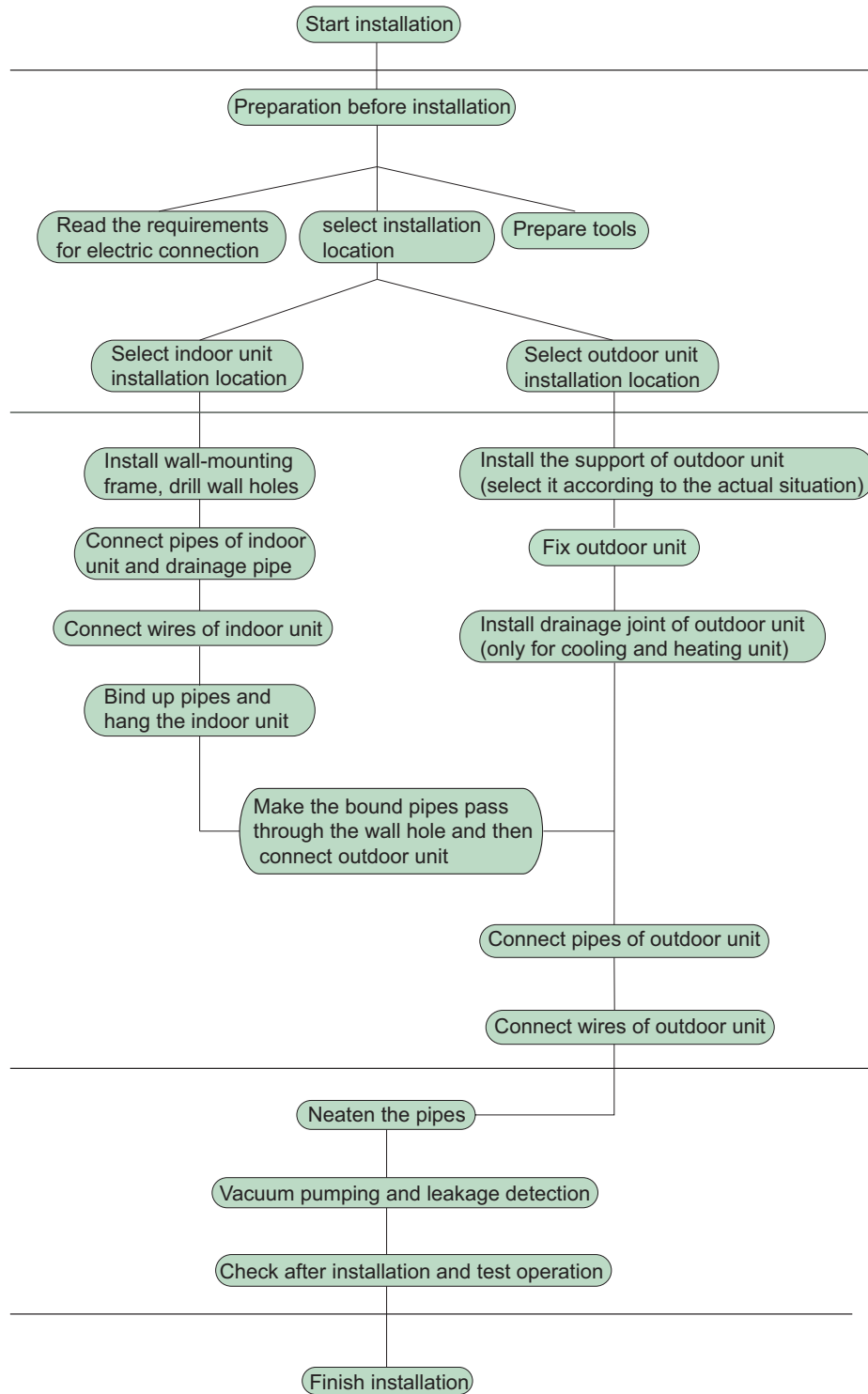
Before using the unit, please check to make sure piping and wiring are correct to avoid water leakage, refrigerant leakage, electric shock, or fire, etc.

Main Tools for Installation and Maintenance

<p>1. Level meter, measuring tape</p> 	<p>2. Screw driver</p> 	<p>3. Impact drill, drill head, electric drill</p> 
<p>4. Electroprobe</p> 	<p>5. Universal meter</p> 	<p>6. Torque wrench, open-end wrench, inner hexagon spanner</p> 
<p>7. Electronic leakage detector</p> 	<p>8. Vacuum pump</p> 	<p>9. Pressure meter</p> 
<p>10. Pipe pliers, pipe cutter</p> 	<p>11. Pipe expander, pipe bender</p> 	<p>12. Soldering appliance, refrigerant container</p> 

8. Installation Manual

Installation procedures


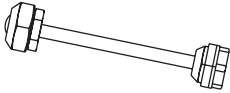


Note: this flow is only for reference; please find the more detailed installation steps in this section.

8.1 Preparation before Installation

8.1.1 Standard parts

Please use the following standard parts supplied by Comfort-Aire/Century.

Pars of Outdoor Unit				
Number	name	picture	Quantity	Remark
1	Owner's manual		1	
2	Tube connector subassy		30K:8;36K:8;42K:9	

8.1.2 Selecting installation site



Forbidden Items! Indicates that improper operation might lead to human casualty or sever injury.



Items need to be followed. It indicates that improper operation might lead to personal injury or property damage.



Install the unit at a place that is adequate to withstand the weight of the unit and make sure the unit will not shake or fall off.



Leave some space for heat exchanging and servicing so as to guarantee normal operation.



Try to keep the unit away from combustible, flammable and corrosive gas or exhaust gas.



Never allow children to approach the unit. Take measures to prevent children from touching the unit.



Keep the indoor and outdoor units close to each other as much as possible.

When the outdoor unit is totally surrounded by walls, the installation space of the unit should be as required in Fig.1.

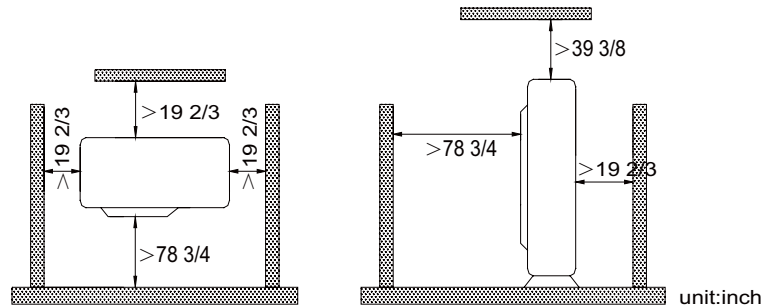


Fig.1

8.1.3 Piping Connection

The maximum pipe length is shown in the following table. When the distance between units (piping length) is out of the range listed below, normal run of the unit can not be guaranteed.

Model	Connecting Pipe (inch)		Max. Pipe length(ft)	Max. Height Difference between Indoor Unit and Outdoor Unit (ft)
	Liquid	Gas		
A-VFH30QB-1	Φ 1/4	Φ 3/8	229.6	When the outdoor unit is above maximum height difference between indoor and outdoor units is up to 49.2ft; When the indoor unit is above, maximum height difference between indoor and outdoor units is up to 49.2ft.
A-VFH36QB-1	Φ 1/4	Φ 3/8	246.1	
A-VFH42PB-1	Φ 1/4	Φ 3/8	246.1	

Note:

- ① Use water-proof insulating pipe.
- ② Wall thickness of pipe: 0.5-1.0 mm;bearing pressure: 3.0MPa
- ③ The longer the connection pipe is, the more cooling and heating capacity will decrease.

8.2 Installation Instruction

8.2.1 Outline and dimension of the outdoor unit

A-VFH30QB-1

Outline dimension and Mounting holes

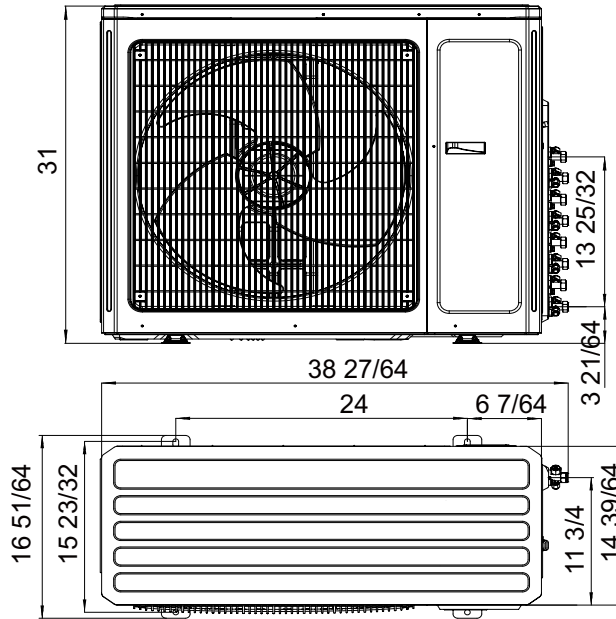


Fig.2

A-VFH36QB-1/A-VFH42PB-1

Outline dimension and Mounting holes

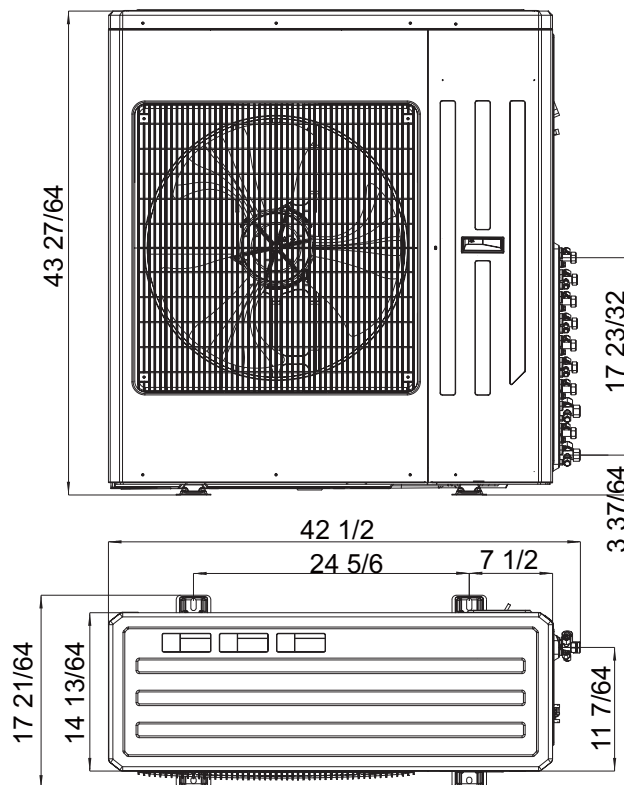
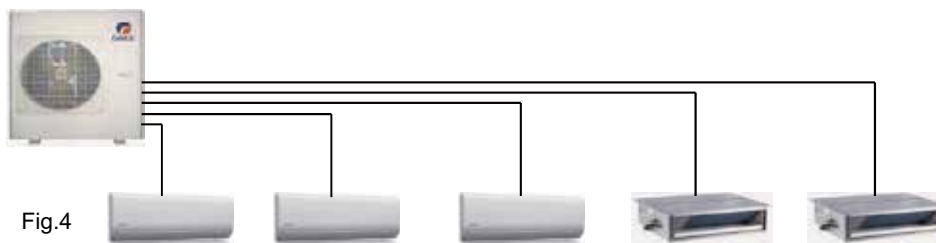


Fig.3

8.2.2 Installation of the Connection Pipe

Connecting piping for indoor unit and outdoor unit.



1) Piping between the Indoor and Outdoor Units

- If the liquid and gas stop valves which have the sign of A , B, C, D or E have not been connected to the indoor units, please turn off the service valve.
- Refer to Fig.7 for the moments of torque for tightening screws.
- Let the flare end of the copper pipe point at the screw and then tighten the screw by hand.
- After that, tighten the screw by the torque wrench unit it clicks (as shown in Fig.5).
- The bending degree of the pipe can not be too small; otherwise it will crack. Please use a tube bender to bend the pipe.
- Wrap the exposed refrigerant pipe and the joints with insulation provided then tighten them with the plastic tape.

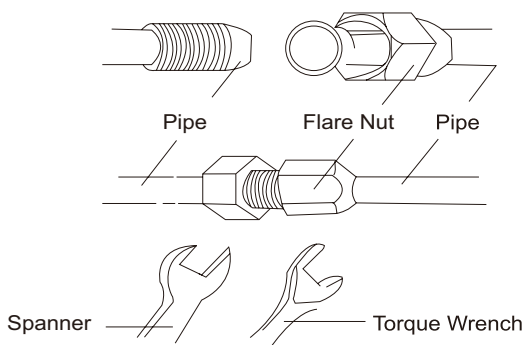


Fig.5

Pipe diameter(inch)	Thickness of copper tube	Tightening torque(ft·lbf)
Φ1/4	≥0.0315	11.10~4.75
Φ3/8	≥0.0315	20.12~29.50
Φ1/2	≥0.0315	33.19~40.56
Φ5/8	≥0.0394	44.24~47.94

CAUTION!

- ① . During the connection of the indoor unit and the refrigerant pipe, never pull any joints of the indoor unit by force; otherwise the capillary pipe or other pipe may crack, which will result in leakage.
- ② . The refrigerant pipe should be supported by brackets. Do not let the unit withstand the weight of the lineset.
- ③ . If the piping connection size of outdoor unit does not match the piping connection size of indoor unit, use the piping connection dimension of indoor unit. When provided, use reducing adapters shipped with indoor and outdoor units.

CAUTION!

- For the Free Match system, each pipe should be labeled to tell which system it belongs to avoid mistaken inaccurate piping.

2) Allowable pipe length and drop height among indoor and outdoor units

If the total refrigerant pipe length (liquid pipe) is less than that listed in the table below, no additional refrigerant will be charged.

Model	A-VFH30QB-1	A-VFH36QB-1	A-VFH36QB-1
Total Liquid Pipe Length (a+b+c+d+e)	131.2ft	131.2ft	131.2ft

Allowable Length and Height Fall of the Refrigerant Pipe

		Allowable Value		Fitting pipe
		A-VFH30QB-1	A-VFH36QB-1 A-VFH42QB-1	
Total length (actual length) of fitting pipe (all indoor units)		229.6ft	246.1ft	$L_1+L_2+\dots+L_M (M \leq 5)$
length of farthest fitting pipe(ft)		82ft	82ft	$L_x (X=1, 2, 3, 4,5)$
Height difference between outdoor unit and indoor unit	Outdoor unit at upper	49.2ft	49.2ft	H1
	Outdoor unit at lower	49.2ft	49.2ft	H3
Height difference between indoor units(ft)		24.6ft	24.6ft	H2

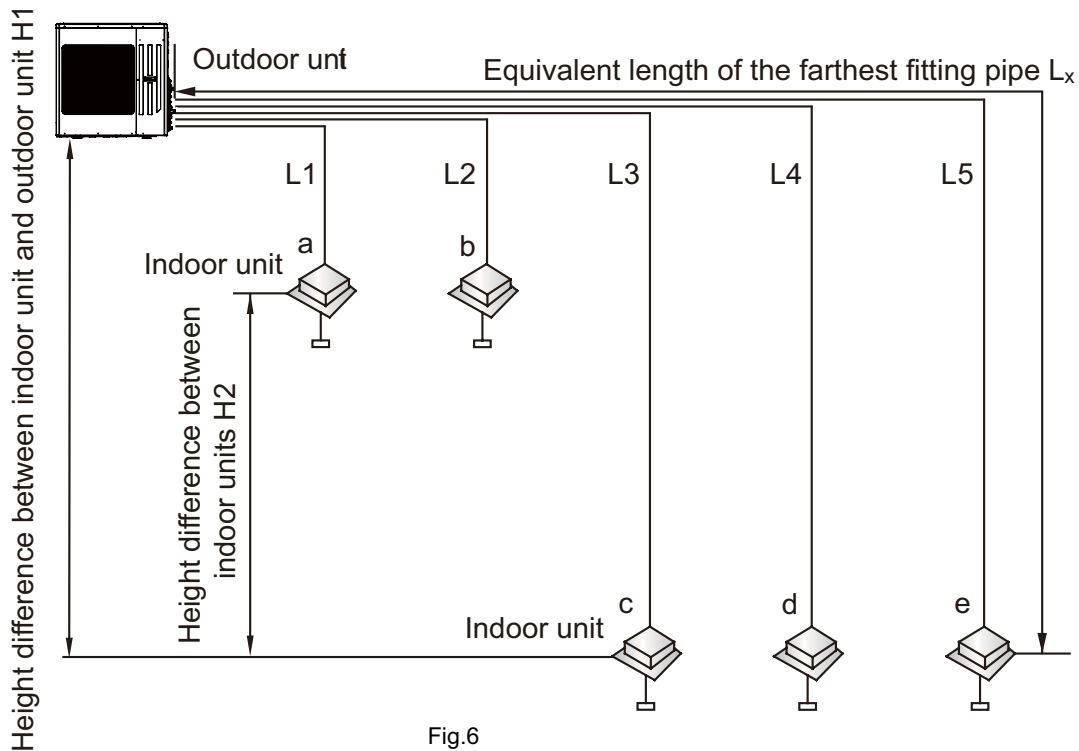


Fig.6

3) Installation of the Refrigerant Pipe Insulation

- a. The refrigerant pipe should be insulated by the insulating material and plastic tape in order to prevent condensation and water leakage.
- b. The joints of the indoor unit should be wrapped with the insulating material and no gap is allowed on the joint of the indoor unit, as shown in Fig.9.

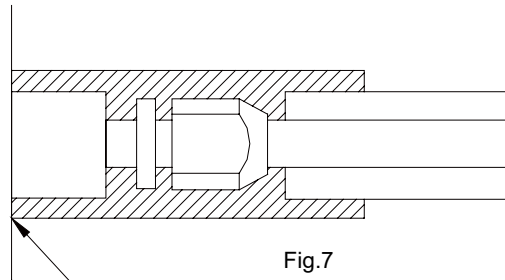


Fig.7

No gap

CAUTION!

After the pipe is protected well enough, never bend it to form a small angle; otherwise it will crack or break.

4)Wrap the Pipe with Tape:

- a. Bundle the refrigerant pipe and electric wire together with tape, and separate them from the drain pipe to prevent the condensate water overflowing.
- b. Fix the wrapped pipe to the wall with clamps.

CAUTION!

① Do not wrap the pipe too tightly; otherwise the insulation effect will be weakened. Additionally, make sure the drain hose is separated from the pipe.

② After that, fill the hole on the wall with sealing material to prevent wind and rain coming into the room.

(4) Support and protection for pipeline

Support should be made for hanging connection pipe. Distance between each support can not be over 3ft.

8.2.3 Air Purging and Refrigerant Charge

Air purging

- 1)The refrigerant has been charged into the outdoor unit before shipment, while additional refrigerant still may need to be charged during the field installation.
- 2)Check to confirm the liquid valve and the gas valve of the outdoor unit are fully closed.
- 3)As shown in the following figure (Fig.10), expel the gas inside the indoor unit and refrigerant pipe with the vacuum pump.

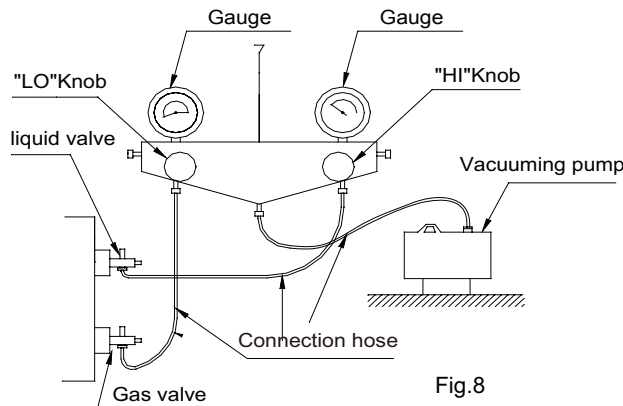


Fig.8

4)When the compressor is not running, charge the R410A refrigerant into the refrigerant pipe from the liquid valve of the outdoor unit.

Additional refrigerant charging

1)Refrigerant Charge in the Outdoor Unit before Shipment

Notes:

- a. Outdoor unit has been charged refrigerant before delivery. Refrigerant charge is not included in the indoor unit and the refrigerant pipe.

- b. The amount of the additional refrigerant charge is dependent on the diameter and length of the liquid refrigerant pipe which is decided by the actual installation requirement.
- c. Record the additional refrigerant charge for future maintenance.

2) Calculation of the Additional Refrigerant Charge

$$\text{Additional Refrigerant Charge} = (\Sigma \text{Length of Liquid Pipe} \phi 9.52 \times 54 + \Sigma \text{Length of Liquid Pipe} \phi 6.35 \times 22) - 880$$

Additional charges should not exceed 28.22 oz.

8.2.4 Electric Wiring

1) Wiring precautions

- The installation must be done in accordance with the national electrical code and all local codes.
 - Use only power cord with the rated voltage, and dedicated circuit for the air conditioning.
 - Do not pull the power cord by force.
 - The electric installation should be carried out by the technician as instructed by the local laws, regulations and also this manual.
 - If damaged the power cord should be replaced with a comparable cord.
 - The grounding should be reliable and the ground wire should be connected to a dedicated device of the building by the technician.
- The disconnect switch coupled with the leakage current protection switch must be equipped, which is of enough capacity and of both magnetic and thermal tripping functions in case of a short circuit and overload.

Models	Power Supply	Capacity of the Circuit Breaker	Recommended Cord(pieces x sectional area)
A-VFH30QB-1	208/230V~60Hz	30	AWG 10
A-VFH36QB-1	208/230V~60Hz	35	AWG 10
A-VFH42PB-1	208/230V~60Hz	40	AWG 8

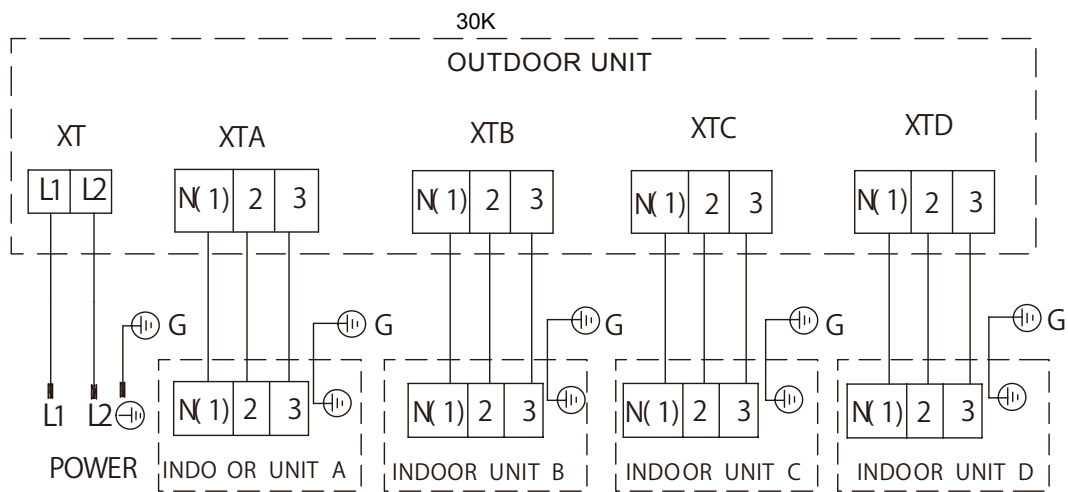


Fig.9

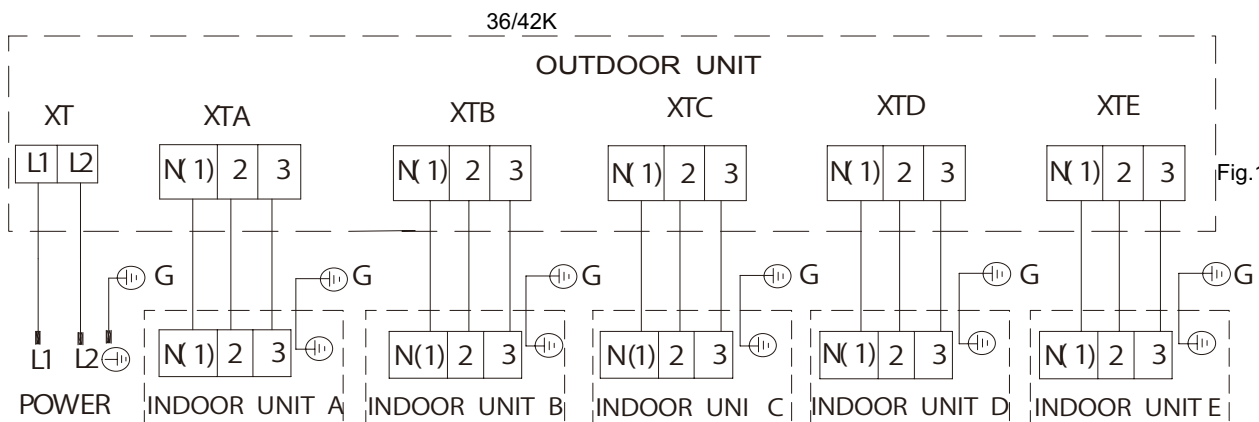


Fig.10

2) Grounding Requirements

- The air conditioner is classified into the Class I appliances, so its grounding must be reliable.
- The yellow-green line of the air conditioner is the ground line and can not be used for other purpose, cut off or fixed by the tapping screw; otherwise it would cause the hazard of electric shock.
- A reliable ground terminal should be provided and the ground wire can not be connected to any of the following places.
 - ① Running water pipe; ② Natural gas pipe; ③ Sewage pipe; ④ Other places where professional personnel thinks unreliable.

3) Electrical Cable Connection

Cautions!

- ① . A mistake connecting line will result in malfunction. After the electrical wiring work, ensure the wire between the connection place and the fixed place has some slack.
- ② . The connection piping and connection line of each indoor unit should connect firmly according to the instruction.
- ③ . The electric installation should be carried out by a technician as instructed by the local laws, regulations and also this manual.
- ④ . The installation location should be dry, and not exposed to direct sunlight or strong wind.
- ⑤ . Install a breaker in the circuit that can shut off the main power supply to the system. Also, a leakage current protection switch must be installed.

4) Wiring of the Power Cord

- a. Open the side plate.
- b. Connect the power cord to the terminals "L1", "L2" and also the ground lug, and then connect the wiring terminals "N(1),2,3" of the indoor unit to those of the outdoor unit correspondingly.
- c. Fix the power cord with wire clips.
- d. Let the power cord go through the rubber ring.

9. Troubleshooting

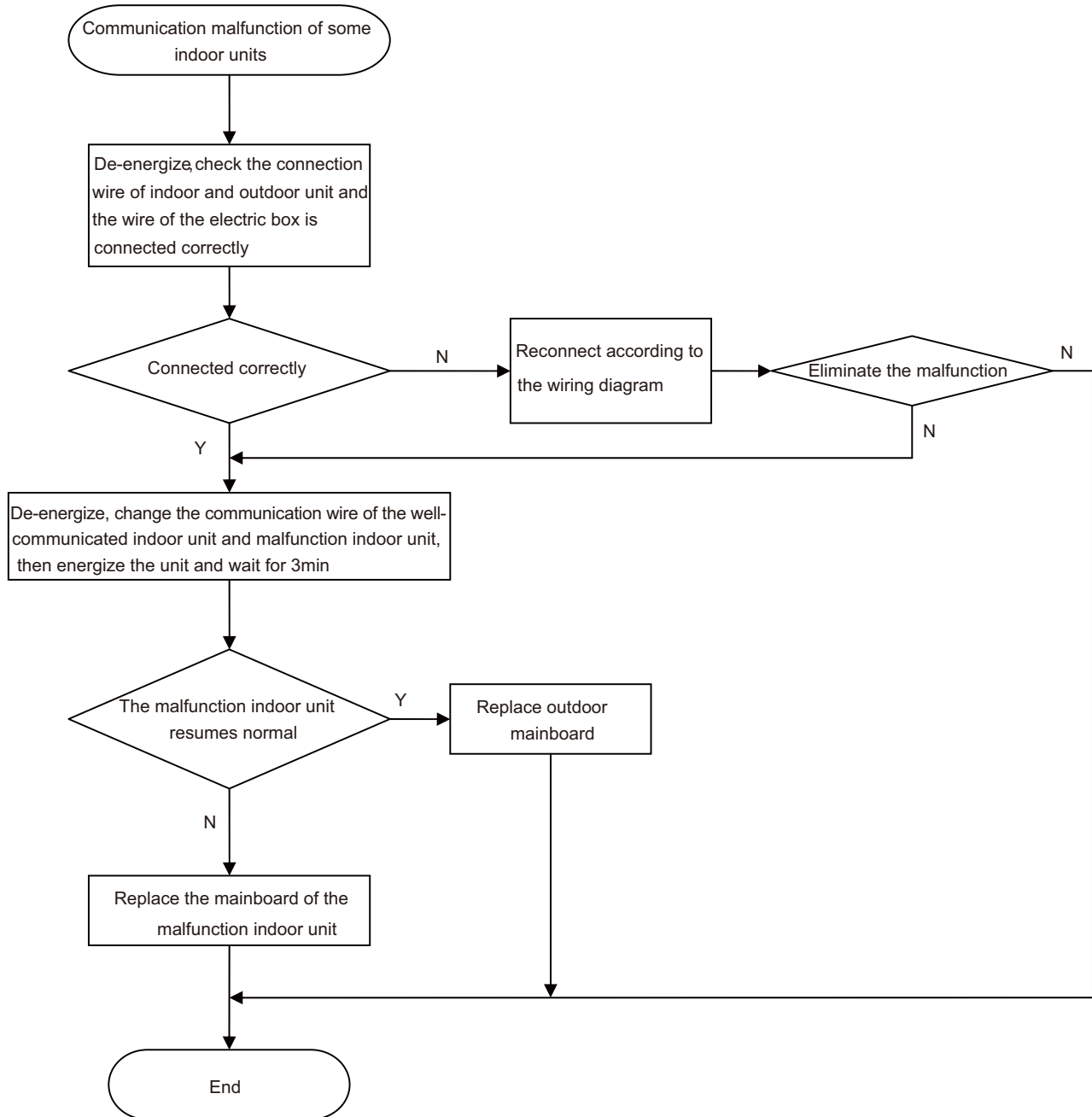
9.1 Malfunction Indicator

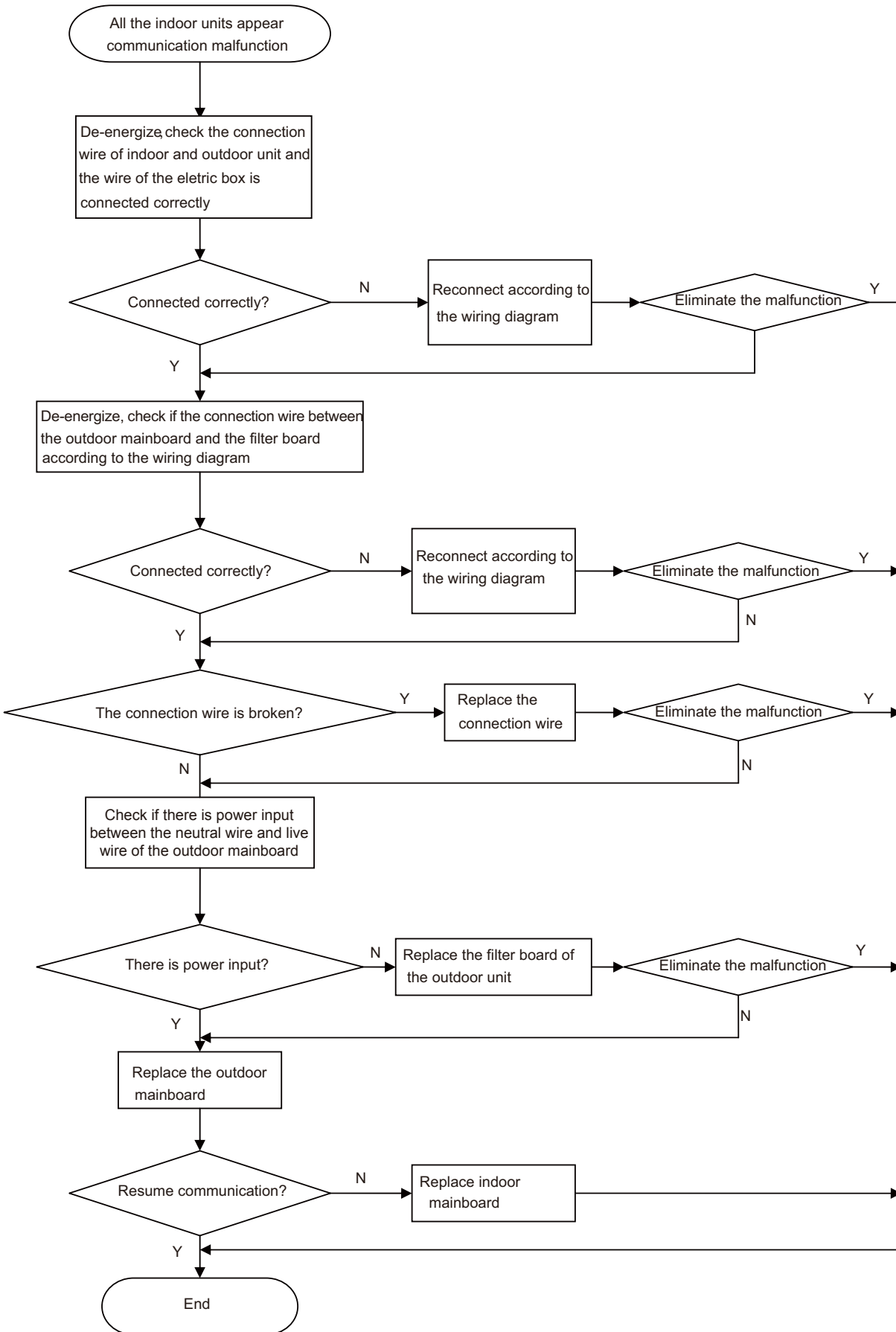
▲ The error code will be displayed on the wired controller and the main board of the outdoor unit The meaning of each error.

Name of malfunction	The indicator display			Indoor display
	Yellow light	Red light	Green light	
Compressor runs	Flash once			
Defrost	Flash twice			H1
Anti-freezing protection	Flash 3 times			E2
IPM protection	Flash 4 times			H5
AC over-current protection	Flash 5 times			E5
Over-burden protection	Flash 6 times			H4
Compressor exhaust high temperature protection	Flash 7 times			E4
Compressor overload protection	Flash 8 times			H3
Power protection	Flash 9 times			L9
EEPROM reads and write protection	Flash 11 times			
Low PN voltage protection	Flash 12 times			PL
Over voltage protection for PN	Flash 13 times			PH
PFC protection	Flash 14 times			HC
PFC module temperature protection	Flash 15 times			oE
Low pressure protection	Flash 17 times			E3
High pressure protection	Flash 18 times			E1
Limit/decline frequency(electric current)		Flash 1 times		
Frequency limit (exhaust)		Flash 2 times		
Frequency limit(Over-burden)		Flash 3 times		
Outdoor ambient sensor malfunction		Flash 6 times		F3
Outdoor tube sensor malfunction		Flash 5 times		F4
Exhaust sensor malfunction		Flash 7 times		F5
Attain the temperature of switch on		Flash 8 times		
Frequency limit(power)		Flash 13 times		
Outdoor fan malfunction		Flash 14 times		
Frequency limit(PFC module temperature)		Flash 15 times		
PFC module sensor malfunction		Flash 16 times		oE
Liquid pipe temperature sensor malfunction of A		Flash 17 times		
Gas pipe temperature sensor malfunction of A		Flash 18 times		
Liquid pipe temperature sensor malfunction of B		Flash 19 times		
Gas pipe temperature sensor malfunction of B		Flash 20 times		
Liquid pipe temperature sensor malfunction of C		Flash 21 times		
Gas pipe temperature sensor malfunction of C		Flash 22 times		
Liquid pipe temperature sensor malfunction of D		Flash 23 times		
Gas pipe temperature sensor malfunction of D		Flash 24 times		
Liquid pipe temperature sensor malfunction of E		Flash 25 times		
Gas pipe temperature sensor malfunction of E		Flash 26 times		
Exit of the condenser tube sensor malfunction		Flash 27 times		
Correspondence is normal			Flash 7 times(n=indoor unit number)	
Communication failure between indoor unit and outdoor unit (indoor unit all Communication failure)			Often bright	
Indoor ambient sensor malfunction				F1
Indoor evaporate sensor malfunction				F2
Mode conflict				E7
Accept fluorine mode				Fo
Jumper cap malfunction protection				C5

9.2 Malfunction Checking and Elimination

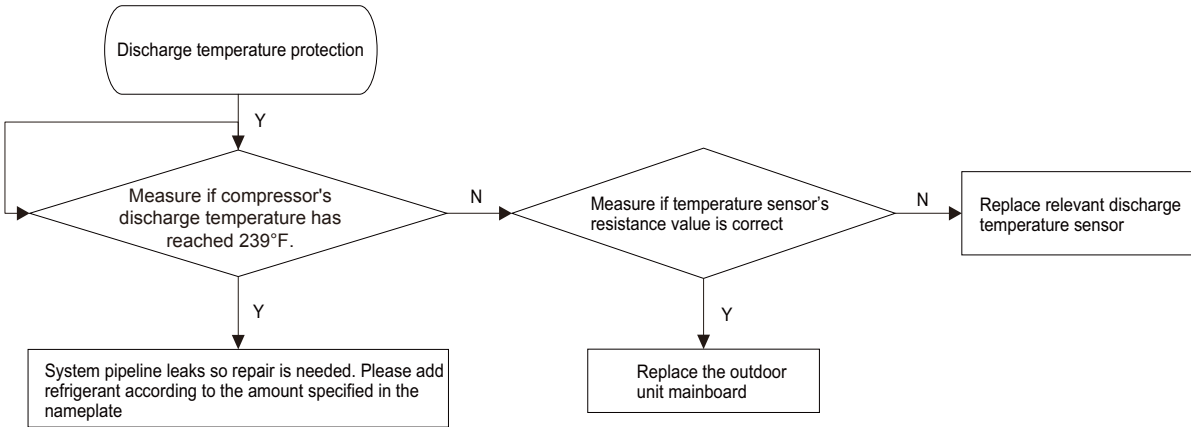
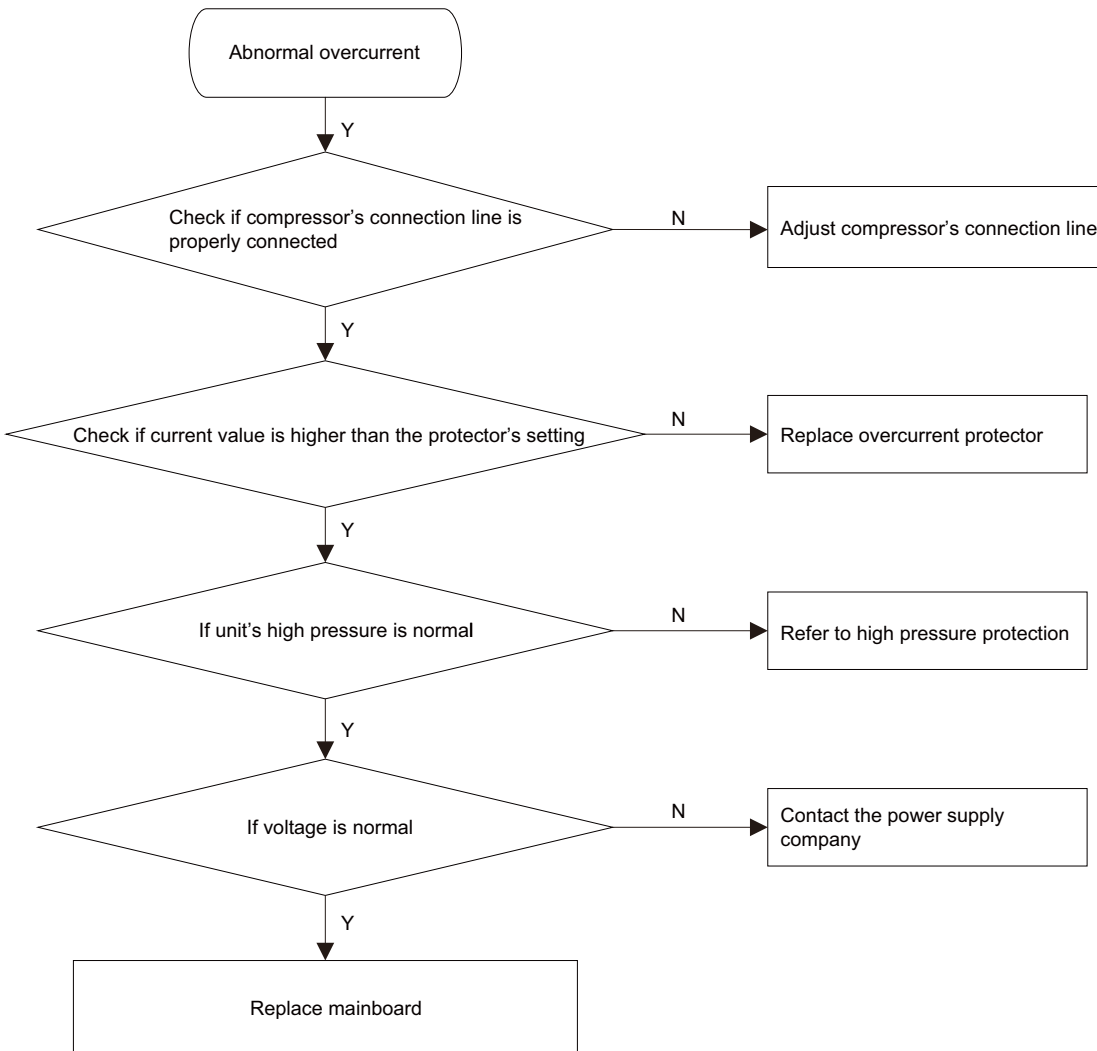
◆ Malfunction display: E6 Communication malfunction



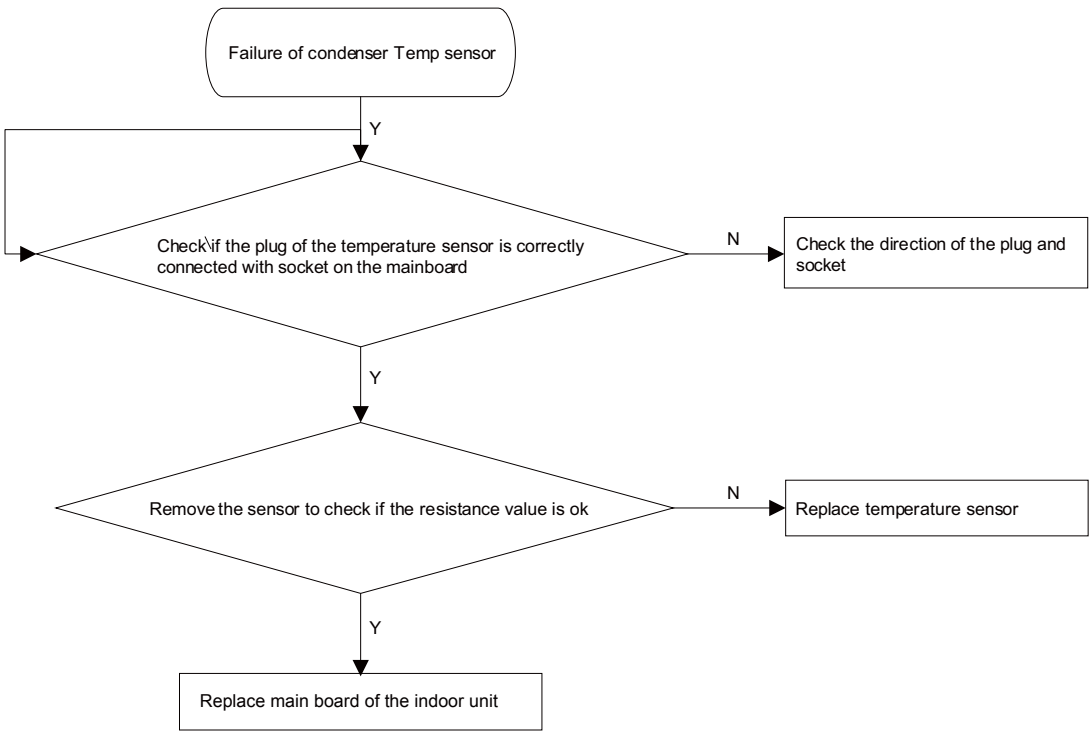


◆ Malfunction display: E1 Compressor High Pressure Protection

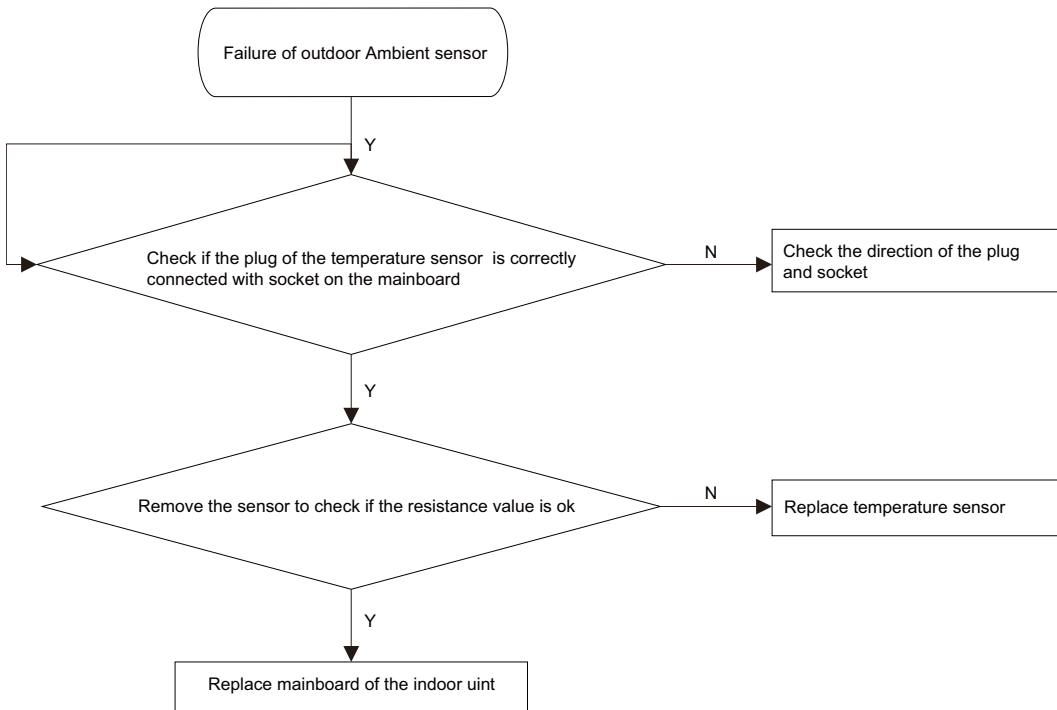


◆ Malfunction display: E4 Compressor Exhaust High Temperature Protection

◆ Malfunction display: E5 Compressor Overheat


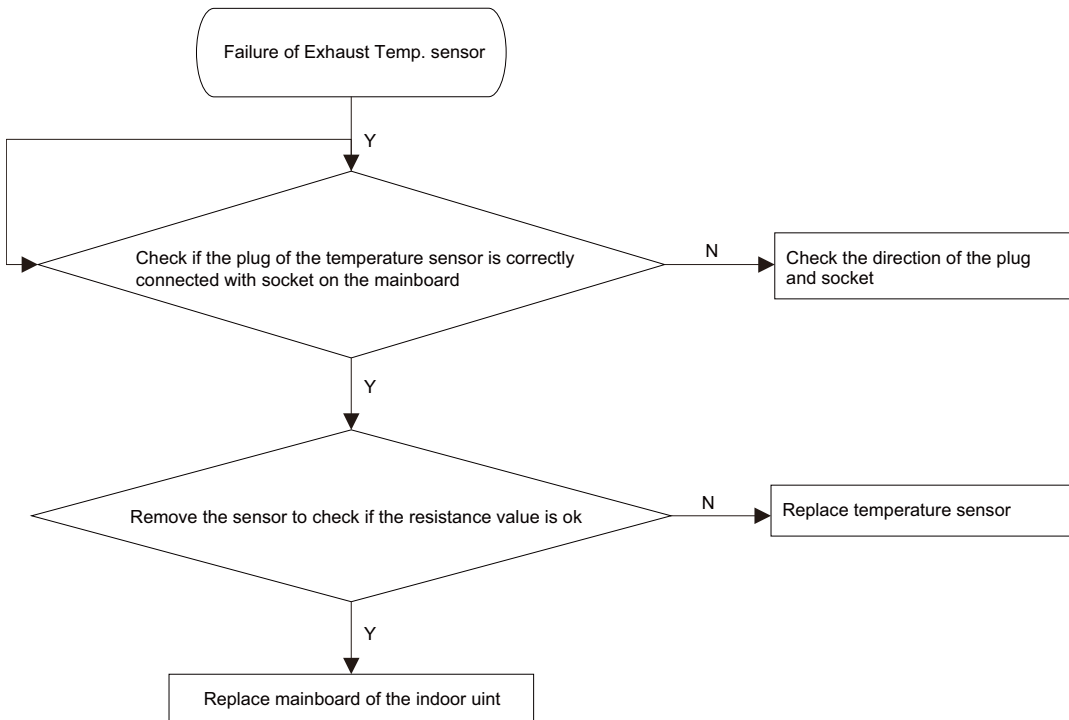
◆ Malfunction display: F2 Failure of Evaporator Temp. Sensor



◆ **Malfunction display: F3 Failure of Outdoor Ambient Sensor**



◆ **Malfunction display: F5 Failure of Exhaust Temp. Sensor**



9.3 Maintenance Method for Normal Malfunction

1. Air Conditioner Can't be Started Up

Possible Causes	Discriminating Method (Air conditioner Status)	Troubleshooting
No power supply, or poor connection for power plug	After energization, operation indicator isn't bright and the buzzer does not emit sound	Confirm whether it's due to power failure. If yes, wait for power recovery. If not, check power supply circuit.
Wrong wire connection between indoor unit and outdoor unit, or poor connection for wiring terminals	Under normal power supply circumstances, operation indicator isn't bright after energization	Check the circuit according to circuit diagram and connect wires correctly. Make sure all wiring terminals are connected firmly
Electric leakage for air conditioner	After energization, room circuit breaker trips off at once	Make sure the air conditioner is grounded reliably Make sure wires of air conditioner are connected correctly Check the wiring inside air conditioner. Check whether the insulation layer of power cord is damaged; if yes, place the power cord.
Model selection for air switch is improper	After energization, air switch trips off	Select proper air switch
Malfunction of remote controller	After energization, operation indicator is bright, while no display on remote controller or buttons have no action.	Replace batteries for remote controller Repair or replace remote controller

2. Poor Cooling (Heating) for Air Conditioner

Possible Causes	Discriminating Method (Air conditioner Status)	Troubleshooting
Set temperature is improper	Observe the set temperature on remote controller	Adjust the set temperature
Rotation speed of the IDU fan motor is set too low	Small wind blow	Set the fan speed at high or medium
Filter of indoor unit is blocked	Check the filter to see if blocked	Clean the filter
Installation position for indoor unit and outdoor unit is improper	Check whether the installation position is proper according to installation requirement for air conditioner	Adjust the installation position
Refrigerant is leaking	Discharged air temperature during cooling is higher than normal discharged wind temperature; Discharged air temperature during heating is lower than normal discharged wind temperature; Unit's pressure is much lower than regulated range	Find out the leakage causes and deal with it. Add refrigerant.
Malfunction of 4-way valve	Blow cold wind during heating	Replace the 4-way valve
Malfunction of capillary	Discharged air temperature during cooling is higher than normal discharged wind temperature; Discharged air temperature during heating is lower than normal discharged wind temperature; Unit's pressure is much lower than regulated range. If refrigerant isn't leaking, part of capillary is blocked	Replace the capillary
Flow volume of valve is insufficient	The pressure of valves is much lower than that stated in the specification	Open the valve completely
Malfunction of horizontal louver	Horizontal louver can't swing	Refer to point 3 of maintenance method for details
Malfunction of the IDU fan motor	The IDU fan motor can't operate	Refer to troubleshooting for H6 for maintenance method in details
Malfunction of the ODU fan motor	The ODU fan motor can't operate	Refer to point 4 of maintenance method for details
Malfunction of compressor	Compressor can't operate	Refer to point 5 of maintenance method for details

3. Horizontal Louver Can't Swing

Possible Causes	Discriminating Method (Air conditioner Status)	Troubleshooting
Wrong wire connection, or poor connection	Check the wiring status according to circuit diagram	Connect wires according to wiring diagram to make sure all wiring terminals are connected firmly
Stepping motor is damaged	Stepping motor can't operate	Repair or replace stepping motor
Main board is damaged	Others are all normal, while horizontal louver can't operate	Replace the main board with the same model

4. ODU Fan Motor Can't Operate

Possible causes	Discriminating method (air conditioner status)	Troubleshooting
Wrong wire connection, or poor connection	Check the wiring status according to circuit diagram	Connect wires according to wiring diagram to make sure all wiring terminals are connected firmly
Capacity of the ODU fan motor is damaged	Measure the capacity of fan capacitor with a universal meter and find that the capacity is out of the deviation range indicated on the nameplate of fan capacitor.	Replace the fan capacitor
Power voltage is a little low or high	Use universal meter to measure the power supply voltage. The voltage is a little high or low	Suggest to equip with voltage regulator
Motor of outdoor unit is damaged	When unit is on, cooling/heating performance is bad and ODU compressor generates a lot of noise and heat.	Change compressor oil and refrigerant. If no better, replace the compressor

5. Compressor Can't Operate

Possible causes	Discriminating method (air conditioner status)	Troubleshooting
Wrong wire connection, or poor connection	Check the wiring status according to circuit diagram	Connect wires according to wiring diagram to make sure all wiring terminals are connected firmly
Capacity of compressor is damaged	Measure the capacity of fan capacitor with an universal meter and see if the capacitor is out of the deviation range indicated on the nameplate of fan capacitor.	Replace the compressor capacitor
Power voltage is a little low or high	Use universal meter to measure the power supply voltage. The voltage is a little high or low	Suggest to equip with voltage regulator
Coil of compressor is burnt out	Use universal meter to measure the resistance between compressor terminals: ~0	Repair or replace compressor
Cylinder of compressor is blocked	Compressor can't operate	Repair or replace compressor

6. Air Conditioner is Leaking

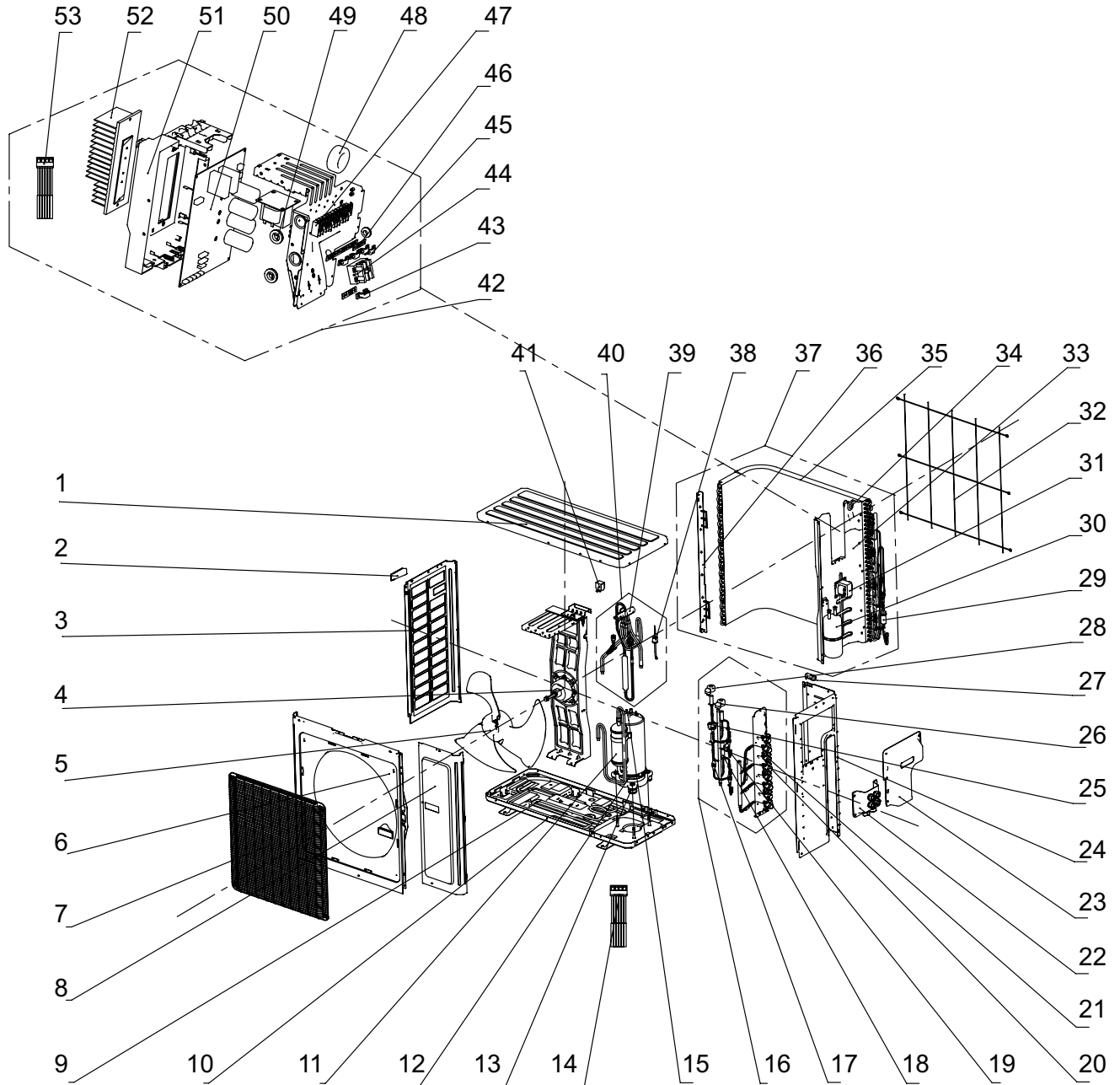
Possible causes	Discriminating method (air conditioner status)	Troubleshooting
Drain pipe is blocked	Water leaking from indoor unit	Eliminate the foreign objects inside the drain pipe
Drain pipe is broken	Water leaking from drain pipe	Replace drain pipe
Wrapping is not tight	Water leaking from the pipe connection place of indoor unit	Wrap it again and bundle it tightly

7. Abnormal Sound and Vibration

Possible causes	Discriminating method (air conditioner status)	Troubleshooting
When turning the unit off or on, the panel and other parts will expand and there is abnormal sound	Unit has "popping" sound	Normal phenomenon. Abnormal sound will disappear after a few minutes.
When turning the unit off or on, there is abnormal sound due to flow of refrigerant inside air conditioner	Water-running sound can be heard	Normal phenomenon. Sound will disappear after a few minutes.
Foreign objects inside the indoor unit or there're parts touching together inside the indoor unit	There's abnormal sound from indoor unit	Remove foreign objects. Adjust all parts' position of indoor unit, tighten screws and stick damping material between connected parts
Foreign objects inside the outdoor unit or there're parts touching together inside the outdoor unit	There's abnormal sound from outdoor unit	Remove foreign objects. Adjust all parts' position of outdoor unit, tighten screws and stick damping plaster between connected parts
Short circuit inside the magnetic coil	During heating, the 4-way valve has abnormal electromagnetic sound	Replace magnetic coil
Abnormal shake of compressor	Outdoor unit gives out abnormal sound	Adjust the support foot mat of compressor, tighten the bolts
Abnormal sound inside the compressor	Abnormal sound inside the compressor	Too much refrigerant added during maintenance, please correct refrigerant charge. Replace compressor for other circumstances.

10. Exploded View and Parts List

A-VFH30QB-1

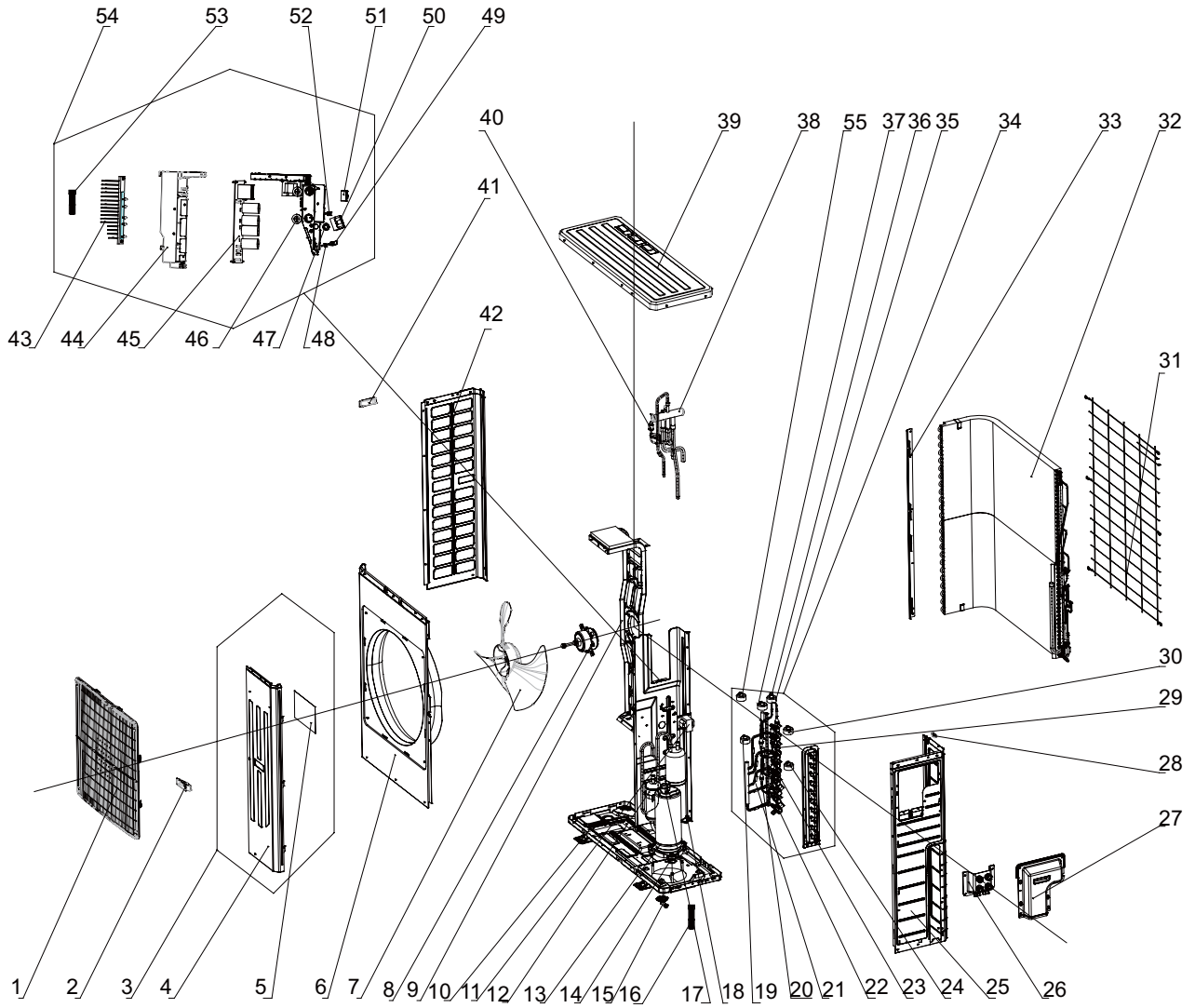


The component picture is only for reference; please refer to the actual product.

NO.	Description	Part Code	
		A-VFH30QB-1	
		CB228W07900_L61437	
1	Coping	01255006P	1
2	Left Handle	26235401	1
3	Left Side Plate	01305043P	1
4	Fan Motor	15702802	1
5	Axial Flow Fan	10335014	1
6	Cabinet	0143500401P	1
7	Front Grill	01473050	1
8	Front Side Plate	01305086P	1
9	Electrical Heater	765100047	1
10	Chassis Sub-assy	01284100112P	1
11	Compressor	00205200003	1
12	Electric Heater(Compressor)	7651873215	1
13	Compressor Gasket	76713066	1
14	Sensor Sub-assy	39008000017G	3
15	Compressor Overload Protector(External)	00180030	1
16	Valve Support Assy	030163000003	1
17	Strainer A	07210022	1
18	Electronic Expansion Valve	07334447	2
19	Electric Expand Valve Fitting	4304413222	1
20	Cut off Valve	07130239	1
21	Cut off Valve	07130239	1
22	Wiring Cover Sub-assy	01264100034	1
23	Handle Assy	02204100008	1
24	Right Side Plate	0131410000901P	1
25	Electric Expand Valve Fitting	4304413234	1
26	Electric Expand Valve Fitting	4304413235	1
27	Wiring Clamp	26115004	1
28	Electric Expand Valve Fitting	4304413237	1
29	Bidirection Strainer	07220016	1
30	Gas-liquid Separator Assy	07225017	1
31	Reactor	43130186	1
32	Rear Grill	01574100003	1
33	Clapboard	01244100003	1
34	Cable Cross Loop	76512008	1
35	Condenser Assy	01124100118_L61437	1
36	Condenser Support Plate	01175092	1
37	Condenser Assy	01124100118_L61437	1
38	Pressure Protect Switch	4602000902	1
39	4-way Valve	4300008201	1
40	4-Way Valve Assy	04045200071	1
41	Magnet Coil	4300040072	1
42	Electric Box Assy	01395200378_L61437	1
43	Wire Clamp	71010003	1
44	Terminal Board	420111041	1
45	Wire Clamp	71010003	1
46	Insulation Gasket	70410006	2
47	Terminal Board	420111041	4
48	Magnetic Ring	49010109	1
49	Cable Cross Loop	76512008	5
50	Main Board	30228000026	5
51	Electric Box	26904100013	5
52	Radiator	49010252	5
53	Sensor Sub-assy	39004100005G	1

Above data is subject to change without notice.

A-VFH36QB-1 A-VFH42PB-1



The component picture is only for reference; please refer to the actual product.

NO.	Description	Part Code		Qty
		A-VFH36QB-1	A-VFH42PB-1	
		Product code	Product code	
		CB228W08000_L61437	CN860W0180_L61437	
1	Front Grill	01574106	01574106	1
2	Handle Assy	02204100008	02204100008	1
3	Front Side Plate Sub-Assy	01305508	01305508	1
4	Front Side Plate	01305065P	01305065P	1
5	Insulated Board (Cover of Electric Box)	20113003	20113003	1
6	Cabinet	01435007P	01435007P	1
7	Axial Flow Fan	10335010	10335010	1
8	Fan Motor	1570280201	1570280201	1
9	Motor Support Assy	01805200256	01805200256	1
10	Electrical Heater	765100047	765100047	1
11	Reactor	43130186	43130186	1
12	Compressor	00205200003	00205200003	1
13	Electrical Heater(Compressor)	7651873209	7651873209	1
14	Compressor Gasket	76713066	76713066	3
15	Drainage Joint	26113009	26113009	1
16	Sensor Sub-assy	39004100006G	39004100006G	1
17	Compressor Overload Protector(External)	00180030	00180030	1
18	Bolt	70210051	70210051	2
19	Electric Expand Valve Fitting	4300876704	4304413222	1
20	Strainer A	07210022	07210022	1
21	Bidirection Strainer	07220016	07220016	1
22	Cut off Valve	07130239	07130239	1
23	Cut off Valve	071302391	071302391	1
24	Electric Expand Valve Fitting	4300876704	4304413234	1
25	Right Side Plate	0131410002701P	0131410002701P	1
26	Wiring Cover Sub-assy	01264100034	01264100034	1
27	Handle Assy	02204100008	02204100008	1
28	Wiring Clamp	26115004	26115004	1
29	Cut off Valve	07130239	071302391	1
30	Electric Expand Valve Fitting	4300876717	4304413235	1
31	Rear Grill	01574100007	01574100007	1
32	Condenser Assy	01124100116_L61437	01124100116_L61437	1
33	Condenser support plate	01895309	01895309	1
34	Valve Support Assy	07133814	07133814	1
35	Electric Expand Valve Fitting	4300876718	4304413237	1
36	Electronic Expansion Valve	07130369	07130369	1
37	Electric Expand Valve Fitting	4300876719	4304413238	1
38	4-way Valve	43000338	43000338	1
39	Top Cover	0125500901P	0125500901P	1
40	Pressure Protect Switch	4602000902	4602000902	1
41	Left Handle	26235401	26235401	1
42	Left Side Plate	01305064P	01305064P	1
43	Radiator	49010252	49010252	1
44	Electric Box	26904100013	26904100013	1
45	Main Board	30228000027	30228000025	1
46	Cable Cross Loop	76510021	76510021	2
47	Magnetic Ring	49010109	49010109	4
48	Insulation Gasket	70410006	70410006	1
49	Wire Clamp	71010003	71010003	5
50	Terminal Board	420111041	420111041	5
51	Terminal Board	42018094	42018094	5
52	Wire Clamp	71010005	71010005	1
53	Sensor Sub-assy	39004100006G	39004100006G	1
54	Electric Box Assy	01395200376_L61437	01395200377_L61437	1
55	Electric Expand Valve Fitting	4300876720	4300876720	1

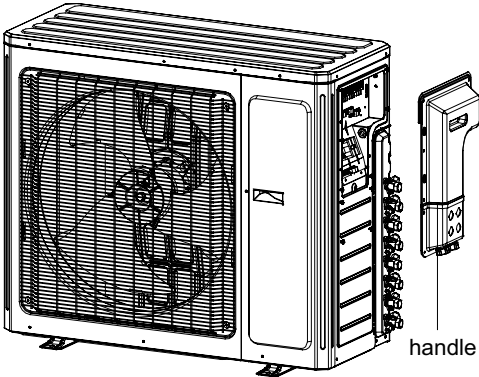
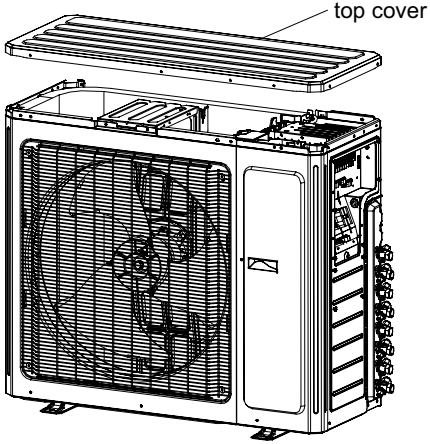
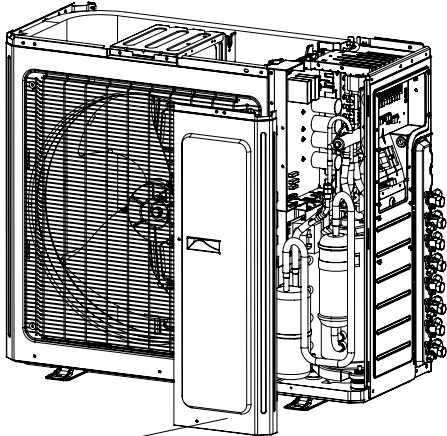
Above data is subject to change without notice.

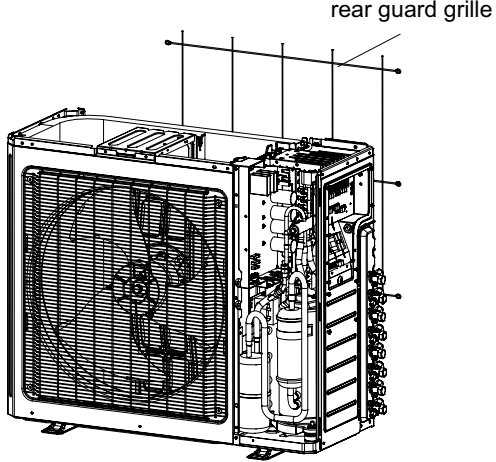
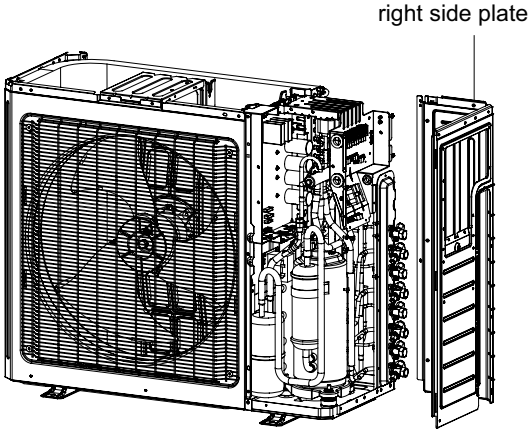
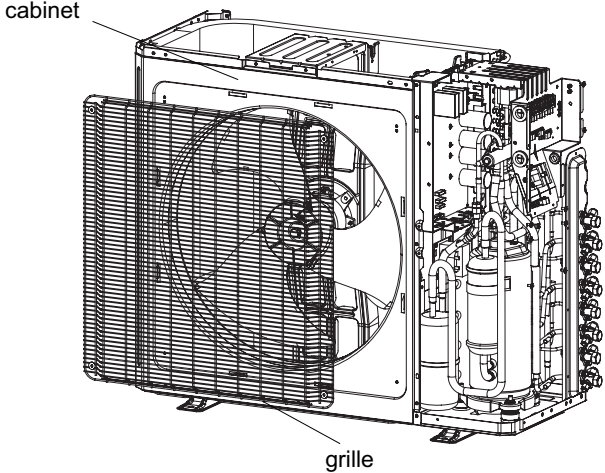
11. Removal Procedure

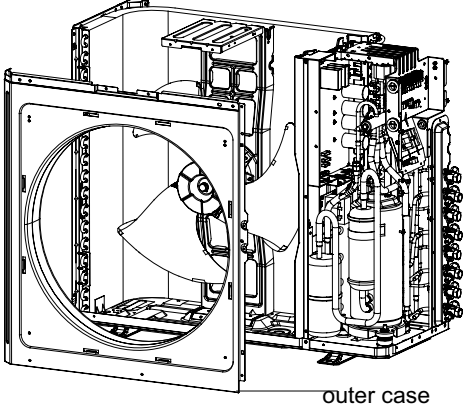
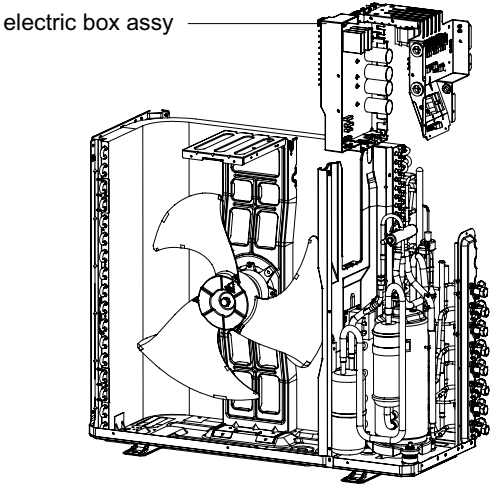
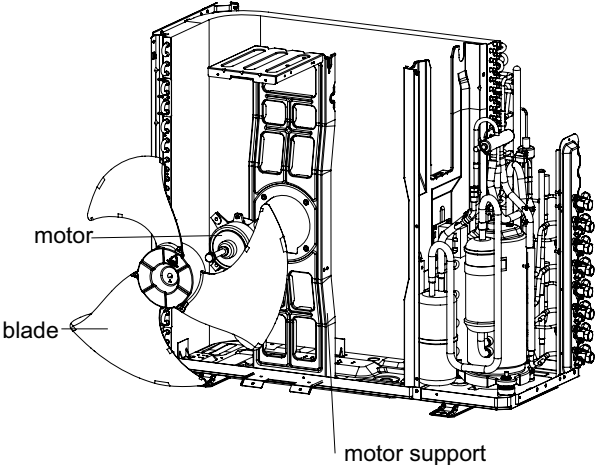
A-VFH30QB-1

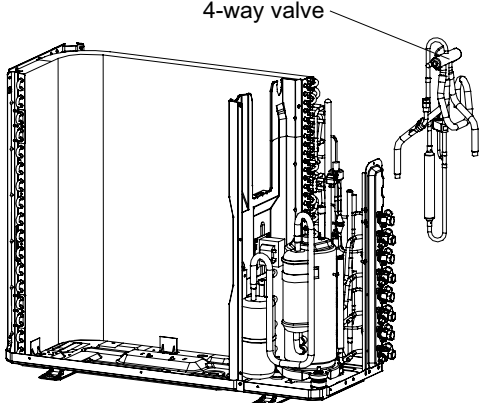
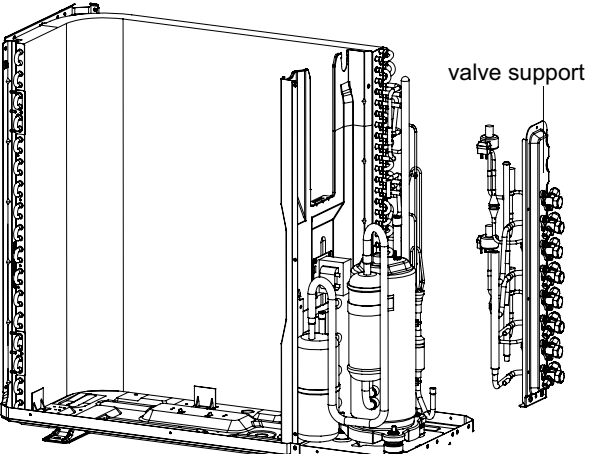
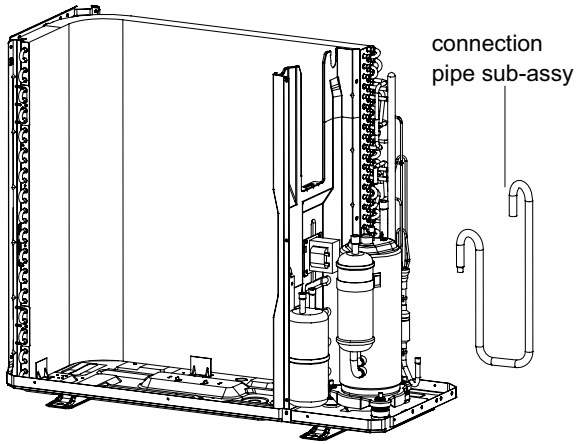


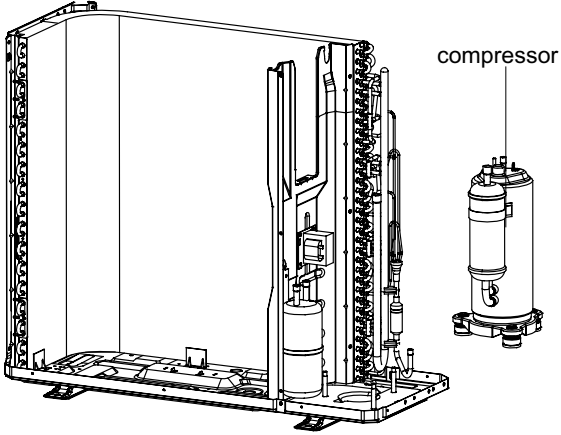
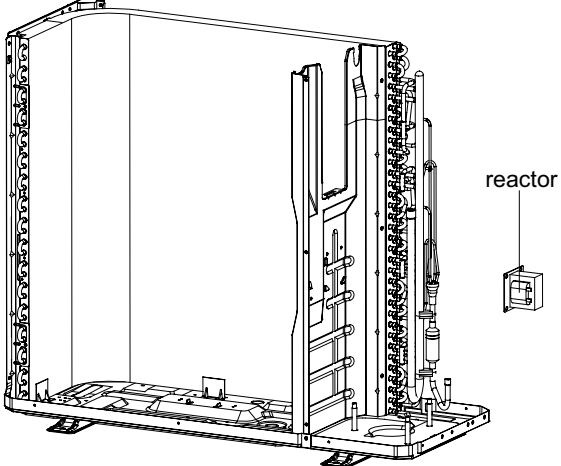
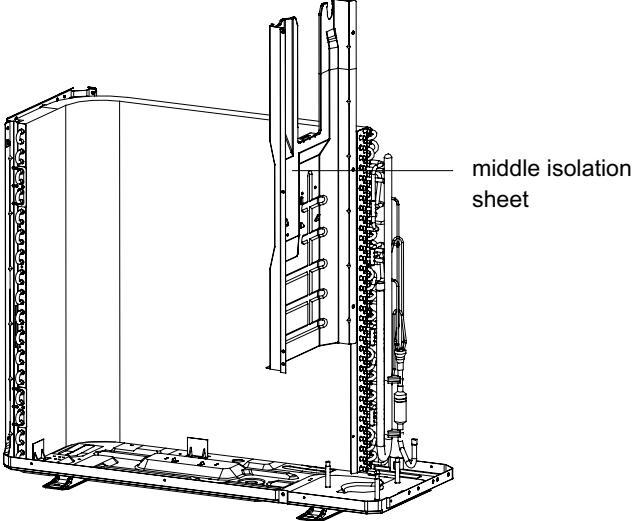
Warning: Be sure to wait for a minimum of 20 minutes after turning off all power supplies and recover the refrigerant completely before removal.

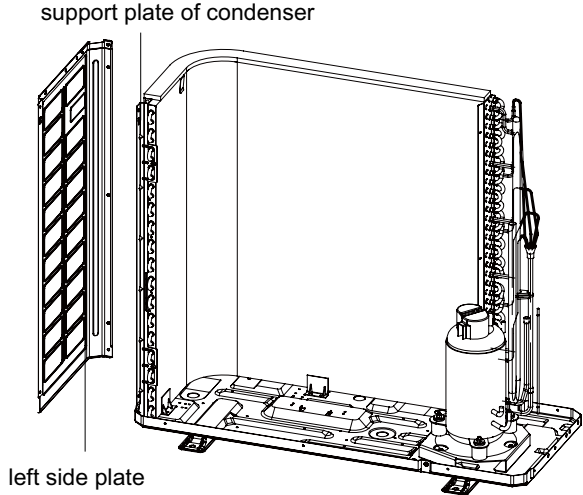
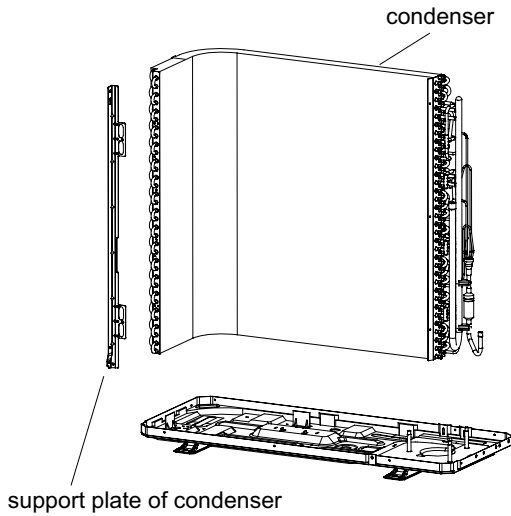
Steps	Procedure
<p>1. Remove the handle</p>	<p>Remove the screws connecting the handle with right side plate and then remove the handle.</p> 
<p>2. Remove top cover</p>	<p>Remove the screws connecting the top cover with outer case, right side plate and left side plate; lift the top cover upwards to remove it.</p> 
<p>3. Remove front side plate</p>	<p>Remove the screws connecting the front side plate with chassis and middle isolation sheet, and then remove the front side plate</p> 

Steps	Procedure
<p>4.Remove rear guard grille</p>	<p>Remove the 6 screws connecting the grille with right side plate and left side plate, and then remove the rear guard grille.</p> 
<p>5.Remove right side plate</p>	<p>Remove the screws connecting the right side plate with electric box assy, valve support, chassis and condenser side plate, and then remove the right side plate.</p> 
<p>6.Remove grille and cabinet</p>	<p>Remove the 4 screws connecting the grille and outer case, and then remove the panel grille.</p> 

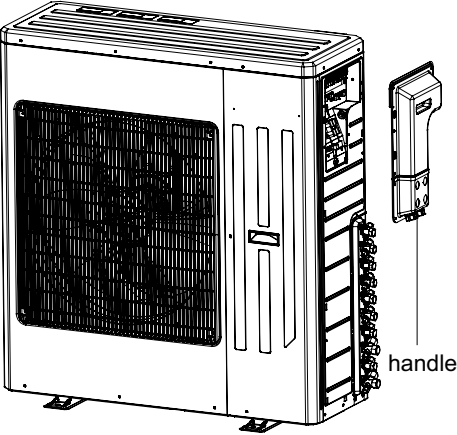
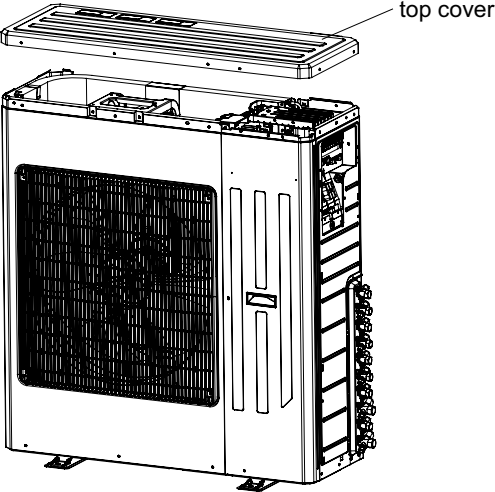
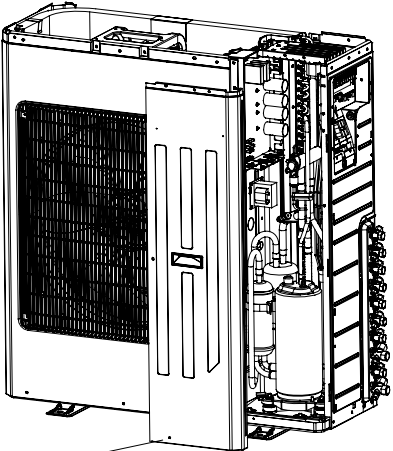
Steps	Procedure
<p>7. Remove outer case</p>	<p>Remove screws connecting outer case and motor support, middle isolation sheet and chassis, pull the outer case upwards slightly, loosen clasps between outer case and right side plate, left side plate, and then remove the outer case.</p> 
<p>8. Remove electric box assy</p>	<ol style="list-style-type: none"> 1.Remove the grounding wire screw on the electric box assy and then remove the grounding wire. 2.Disconnect the wiring terminals of reactor, compressor, high and low pressure switch, compressor overload protector, temperature sensor, outdoor fan motor and 4-way valve. (See fig 2) Note: keep pressing the circlip when disconnecting the wiring terminal of reactor; keep pressing the retainer when disconnecting other wiring terminals. 3.Remove the wire inside the wiring groove. 
<p>9. Remove blade, motor, motor support, reactor</p>	<ol style="list-style-type: none"> 1.Remove nuts holding axial flow blade with wrench, and then remove the axial flow blade. 2.Remove 2 screws connecting motor support and chassis, loosen damper block and then remove the motor support. 3.Remove 4 screws holding motor, and then remove the motor 4.Remove 4 screws holding reactor sub-assy and motor support, and then remove the reactor sub-assy. 

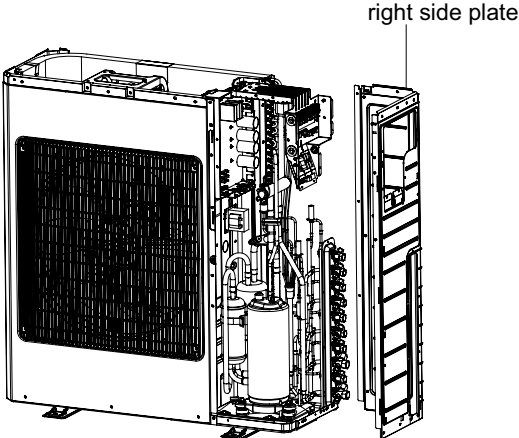
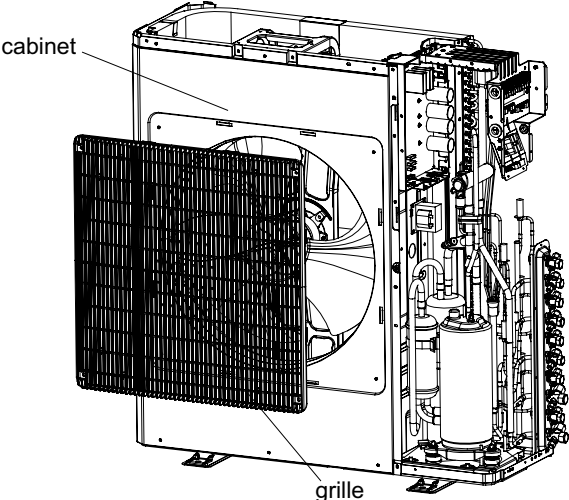
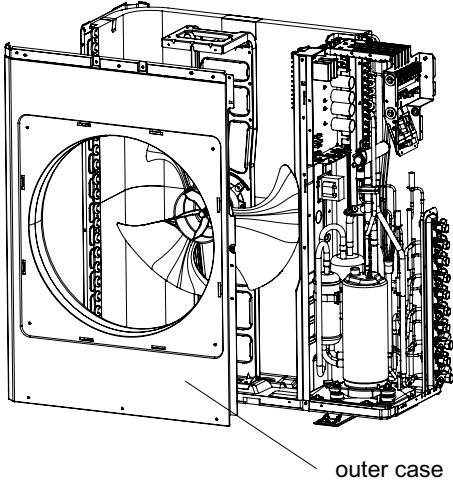
Steps	Procedure
10 Remove 4-way valve	<p>Unsolder the spot weld between 4-way valve and vapour liquid separator, compressor cut-off valve sub-assy and condenser, and then remove the 4-way valve.</p> <p>Note: When unsoldering the spot weld, wrap the 4-way valve with wet cloth completely to avoid damage to valve due to high temperature.</p>  <p style="text-align: right;">4-way valve</p>
11. Remove valve support	<p>Unsolder all spot welds connected with valve support and then remove the valve support.</p> <p>Note: When unsoldering the spot weld, wrap the gas valve and liquid valve with wet cloth completely to avoid damage to valve due to high temperature.</p>  <p style="text-align: right;">valve support</p>
12. Remove connection pipe sub-assy	<p>Remove all spot welds connected with connection pipe, and then remove the connection pipe sub-assy.</p>  <p style="text-align: right;">connection pipe sub-assy</p>

Steps	Procedure
<p>13. Remove compressor</p>	<p>Remove the 3 foot nuts holding compressor and then lift the compressor upwards to remove the compressor and damping cushion. Note: Keep the ports of discharge pipe and suction pipe from foreign objects.</p> 
<p>14. Remove the reactor</p>	<p>Remove 4 screws holding reactor sub-assy and motor support, and then remove the reactor sub-assy.</p> 
<p>15. Remove middle isolation sheet</p>	<p>Remove screws connecting middle isolation sheet and support plate of condenser, chassis, and then remove the middle isolation sheet.</p> 

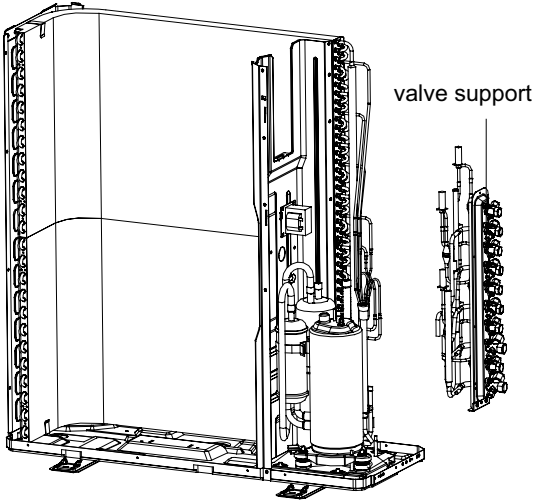
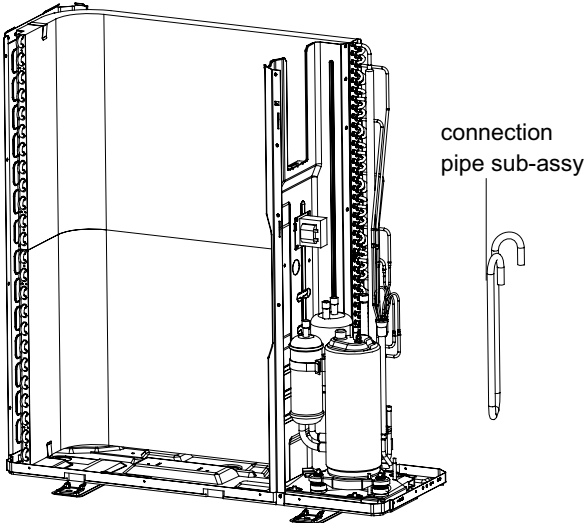
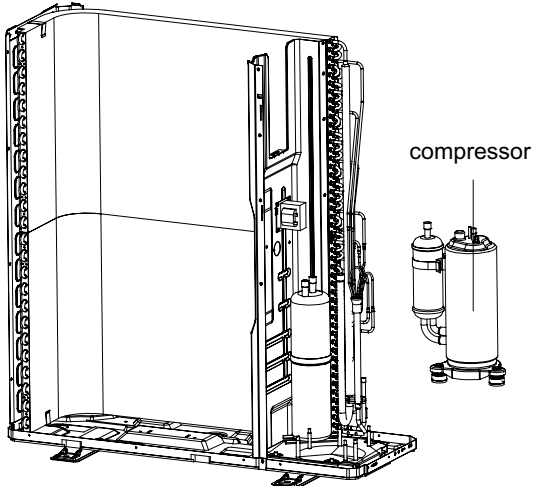
Steps	Procedure
16. Remove left side plate	<p data-bbox="272 432 800 520">Remove screws connecting left side plate and support plate of condenser, chassis, and then remove the left side plate.</p> 
17. Remove condenser	<p data-bbox="248 1100 808 1220">Remove 5 screws connecting condenser and chassis, and then remove the condenser. Remove 2 screws connecting support plate of condenser and condenser, and then remove the support plate of condenser.</p> 

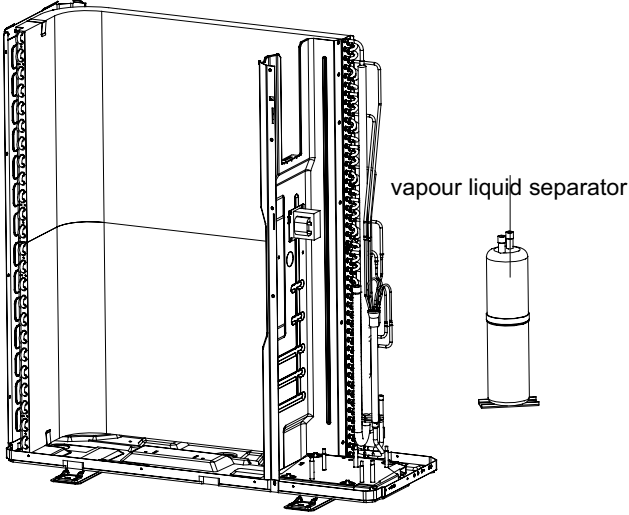
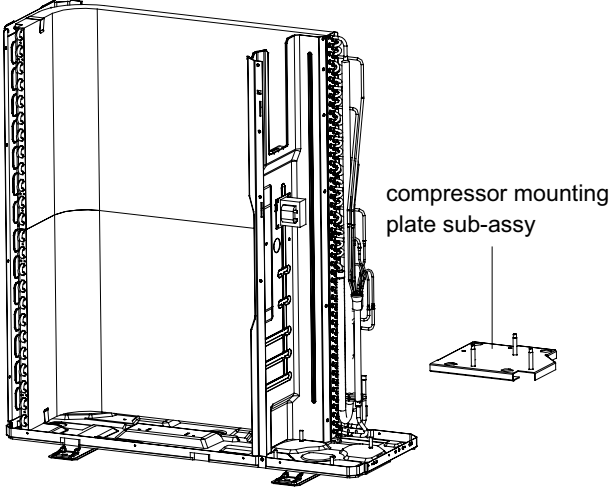
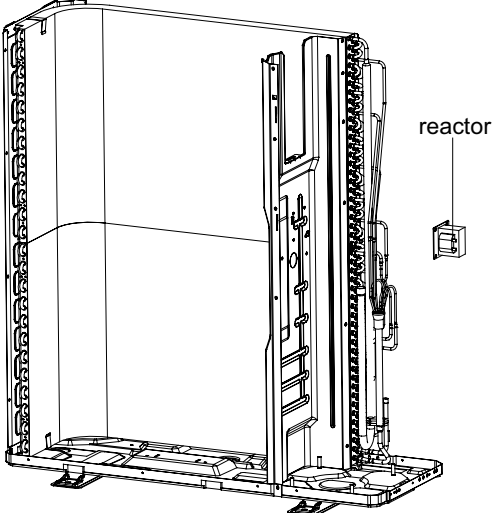
A-VFH36QB-1/A-VFH42PB-1

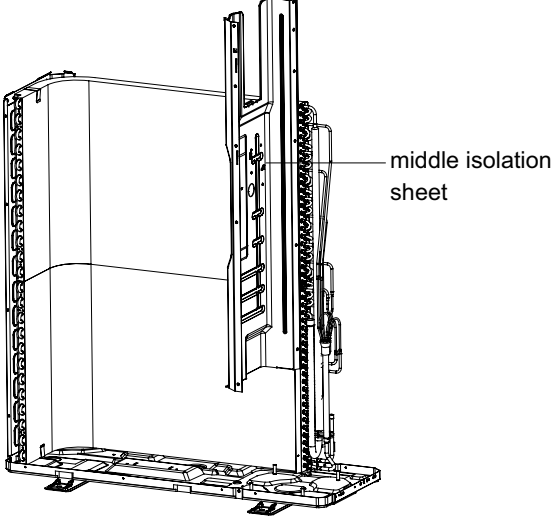
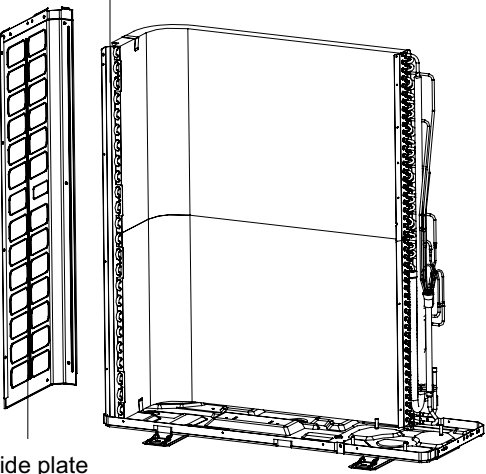
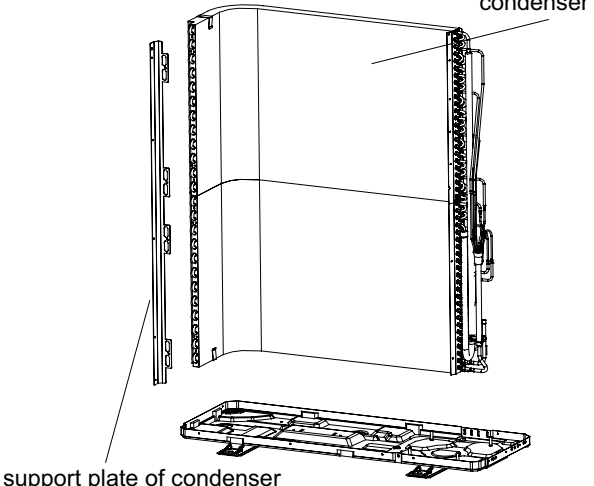
Steps	Procedure
<p>1. Remove the handle</p>	<p>Remove the screws connecting the handle with right side plate and then remove the handle.</p>  <p>handle</p>
<p>2. Remove top cover</p>	<p>Remove the screws connecting the top cover with outer case, right side plate and left side plate; lift the top cover upwards to remove it.</p>  <p>top cover</p>
<p>3. Remove front side plate</p>	<p>Remove the screws connecting the front side plate with chassis and middle isolation sheet, and then remove the front side plate</p>  <p>front side plate</p>

Steps	Procedure
5.Remove right side plate	<p data-bbox="248 531 781 638">Remove the screws connecting the right side plate with electric box assy, valve support, chassis and condenser side plate, and then remove the right side plate.</p> 
6.Remove grille and cabinet	<p data-bbox="248 1079 781 1136">Remove the 4 screws connecting the grille and outer case, and then remove the panel grille.</p> 
7. Remove outer case	<p data-bbox="248 1650 781 1793">Remove screws connecting outer case and motor support, middle isolation sheet and chassis, pull the outer case upwards slightly, loosen clasps between outer case and right side plate, left side plate, and then remove the outer case.</p> 

Steps	Procedure
<p>8. Remove electric box assy</p>	<p>1.Remove the grounding wire screw on the electric box assy and then remove the grounding wire.</p> <p>2.Disconnect the wiring terminals of reactor, compressor, high and low pressure switch, compressor overload protector, temperature sensor, outdoor fan motor and 4-way valve. (See fig 2) Note: keep pressing the circlip when disconnecting the wiring terminal of reactor; keep pressing the retainer when disconnecting other wiring terminals.</p> <p>3.Remove the wire inside the wiring groove.</p> <div data-bbox="883 296 1370 821" style="text-align: right;"> <p>electric box assy</p> </div>
<p>9. Remove blade, motor, motor support, reactor</p>	<p>1.Remove nuts holding axial flow blade with wrench, and then remove the axial flow blade.</p> <p>2.Remove 2 screws connecting motor support and chassis, loosen damper block and then remove the motor support.</p> <p>3.Remove 4 screws holding motor, and then remove the motor</p> <p>4.Remove 4 screws holding reactor sub-assy and motor support, and then remove the reactor sub-assy.</p> <div data-bbox="846 877 1414 1394" style="text-align: right;"> <p>motor</p> <p>blade</p> <p>motor support</p> </div>
<p>10 Remove 4-way valve</p>	<p>Unsolder the spot weld between 4-way valve and vapor liquid separator, compressor cut-off valve sub-assy and condenser, and then remove the 4-way valve.</p> <p>Note: When unsoldering the spot weld, wrap the 4-way valve with wet cloth completely to avoid damage to valve due to high temperature.</p> <div data-bbox="870 1493 1370 1976" style="text-align: right;"> <p>4-way valve</p> </div>

Steps	Procedure
<p>11. Remove valve support</p>	<p>Unsolder all spot welds connected with valve support and then remove the valve support.</p> <p>Note: When unsoldering the spot weld, wrap the gas valve and liquid valve with wet cloth completely to avoid damage to valve due to high temperature.</p>  <p style="text-align: right;">valve support</p>
<p>12. Remove connection pipe sub-assy</p>	<p>Remove all spot welds connected with connection pipe, and then remove the connection pipe sub-assy.</p>  <p style="text-align: right;">connection pipe sub-assy</p>
<p>13. Remove compressor</p>	<p>Remove the 3 foot nuts holding compressor and then lift the compressor upwards to remove the compressor and damping cushion.</p> <p>Note: Keep the ports of discharge pipe and suction pipe away from foreign objects.</p>  <p style="text-align: right;">compressor</p>

Steps	Procedure
<p>14. Remove vapour liquid separator</p>	<p>Unsolder spot welds connected with vapor liquid separator, remove 2 foot nuts holding vapor liquid separator and compressor mounting plate sub-assy, and then remove the vapor liquid separator.</p>  <p style="text-align: right;">vapour liquid separator</p>
<p>15. Remove compressor mounting plate sub-assy</p>	<p>Remove the 4 foot nuts holding compressor mounting plate sub-assy and chassis, to remove the compressor mounting plate sub-assy.</p>  <p style="text-align: right;">compressor mounting plate sub-assy</p>
<p>16. Remove the reactor</p>	<p>4. Remove 4 screws holding reactor sub-assy and motor support, and then remove the reactor sub-assy.</p>  <p style="text-align: right;">reactor</p>

Steps	Procedure
17. Remove middle isolation sheet Remove screws connecting middle isolation sheet and support plate of condenser, chassis, and then remove the middle isolation sheet.	 <p style="text-align: right;">middle isolation sheet</p>
18. Remove left side plate Remove screws connecting left side plate and support plate of condenser, chassis, and then remove the left side plate.	 <p style="text-align: center;">support plate of condenser</p> <p style="text-align: left;">left side plate</p>
19. Remove condenser Remove 5 screws connecting condenser and chassis, and then remove the condenser. Remove 2 screws connecting support plate of condenser and condenser, and then remove the support plate of condenser.	 <p style="text-align: right;">condenser</p> <p style="text-align: left;">support plate of condenser</p>

Appendix:

Appendix 1: Reference Sheet of Celsius and Fahrenheit

Conversion formula for Fahrenheit degree and Celsius degree: $T_f = T_c \times 1.8 + 32$

Set temperature

Fahrenheit display temperature (°F)	Fahrenheit (°F)	Celsius (°C)	Fahrenheit display temperature (°F)	Fahrenheit (°F)	Celsius (°C)	Fahrenheit display temperature (°F)	Fahrenheit (°F)	Celsius (°C)
61	60.8	16	69/70	69.8	21	78/79	78.8	26
62/63	62.6	17	71/72	71.6	22	80/81	80.6	27
64/65	64.4	18	73/74	73.4	23	82/83	82.4	28
66/67	66.2	19	75/76	75.2	24	84/85	84.2	29
68	68	20	77	77	25	86	86	30

Ambient temperature

Fahrenheit display temperature (°F)	Fahrenheit (°F)	Celsius (°C)	Fahrenheit display temperature (°F)	Fahrenheit (°F)	Celsius (°C)	Fahrenheit display temperature (°F)	Fahrenheit (°F)	Celsius (°C)
32/33	32	0	55/56	55.4	13	79/80	78.8	26
34/35	33.8	1	57/58	57.2	14	81	80.6	27
36	35.6	2	59/60	59	15	82/83	82.4	28
37/38	37.4	3	61/62	60.8	16	84/85	84.2	29
39/40	39.2	4	63	62.6	17	86/87	86	30
41/42	41	5	64/65	64.4	18	88/89	87.8	31
43/44	42.8	6	66/67	66.2	19	90	89.6	32
45	44.6	7	68/69	68	20	91/92	91.4	33
46/47	46.4	8	70/71	69.8	21	93/94	93.2	34
48/49	48.2	9	72	71.6	22	95/96	95	35
50/51	50	10	73/74	73.4	23	97/98	96.8	36
52/53	51.8	11	75/76	75.2	24	99	98.6	37
54	53.6	12	77/78	77	25			

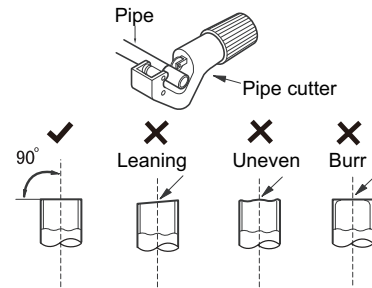
Appendix 2: Pipe Flaring Method

Note:

Improper pipe flaring is the main cause of refrigerant leakage. Please expand the pipe according to the following steps:

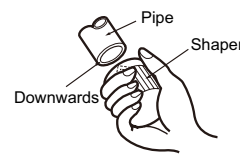
A: Cut the pipe

- Confirm the pipe length according to the distance of indoor unit and outdoor unit.
- Cut the required pipe with pipe cutter.



B: Remove the burrs

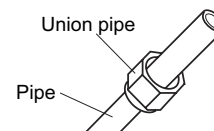
- Remove the burrs with shaper and prevent the burrs from getting into the pipe.



C: Put on suitable insulating pipe

D: Put on the union nut

- Remove the union nut on the indoor connection pipe and outdoor valve; install the union nut on the pipe.



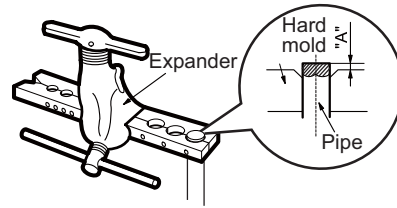
E: Flare the port

- Flare the port with expander.

Note:

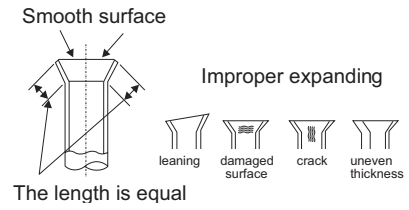
- "A" is different according to the diameter, please refer to the sheet below:

Outer diameter(inch)	A(inch)	
	Max	Min
Φ0.23 - 0.25 (1/4")	0.051	0.028
Φ9.52 (3/8")	0.063	0.039
Φ0.37 - 0.5 (1/2")	0.071	0.039
Φ0.63 (5/8")	0.095	0.087



F: Inspection

- Check the quality of flare. If there is any blemish, flare the port again according to the steps above.



Appendix 3: List of Resistance for Temperature Sensor

Resistance Table of Ambient Temperature Sensor for Indoor and Outdoor(15K)

Temp(°C)	Resistance(kΩ)	Temp(°C)	Resistance(kΩ)	Temp(°C)	Resistance(kΩ)	Temp(°C)	Resistance(kΩ)
-19	138.1	20	18.75	59	3.848	98	1.071
-18	128.6	21	17.93	60	3.711	99	1.039
-17	121.6	22	17.14	61	3.579	100	1.009
-16	115	23	16.39	62	3.454	101	0.98
-15	108.7	24	15.68	63	3.333	102	0.952
-14	102.9	25	15	64	3.217	103	0.925
-13	97.4	26	14.36	65	3.105	104	0.898
-12	92.22	27	13.74	66	2.998	105	0.873
-11	87.35	28	13.16	67	2.896	106	0.848
-10	82.75	29	12.6	68	2.797	107	0.825
-9	78.43	30	12.07	69	2.702	108	0.802
-8	74.35	31	11.57	70	2.611	109	0.779
-7	70.5	32	11.09	71	2.523	110	0.758
-6	66.88	33	10.63	72	2.439	111	0.737
-5	63.46	34	10.2	73	2.358	112	0.717
-4	60.23	35	9.779	74	2.28	113	0.697
-3	57.18	36	9.382	75	2.206	114	0.678
-2	54.31	37	9.003	76	2.133	115	0.66
-1	51.59	38	8.642	77	2.064	116	0.642
0	49.02	39	8.297	78	1.997	117	0.625
1	46.6	40	7.967	79	1.933	118	0.608
2	44.31	41	7.653	80	1.871	119	0.592
3	42.14	42	7.352	81	1.811	120	0.577
4	40.09	43	7.065	82	1.754	121	0.561
5	38.15	44	6.791	83	1.699	122	0.547
6	36.32	45	6.529	84	1.645	123	0.532
7	34.58	46	6.278	85	1.594	124	0.519
8	32.94	47	6.038	86	1.544	125	0.505
9	31.38	48	5.809	87	1.497	126	0.492
10	29.9	49	5.589	88	1.451	127	0.48
11	28.51	50	5.379	89	1.408	128	0.467
12	27.18	51	5.197	90	1.363	129	0.456
13	25.92	52	4.986	91	1.322	130	0.444
14	24.73	53	4.802	92	1.282	131	0.433
15	23.6	54	4.625	93	1.244	132	0.422
16	22.53	55	4.456	94	1.207	133	0.412
17	21.51	56	4.294	95	1.171	134	0.401
18	20.54	57	4.139	96	1.136	135	0.391
19	19.63	58	3.99	97	1.103	136	0.382

Resistance Table of Tube Temperature Sensors for Indoor and Outdoor (20K)

Temp(°C)	Resistance(kΩ)	Temp(°C)	Resistance(kΩ)	Temp(°C)	Resistance(kΩ)	Temp(°C)	Resistance(kΩ)
-19	181.4	20	25.01	59	5.13	98	1.427
-18	171.4	21	23.9	60	4.948	99	1.386
-17	162.1	22	22.85	61	4.773	100	1.346
-16	153.3	23	21.85	62	4.605	101	1.307
-15	145	24	20.9	63	4.443	102	1.269
-14	137.2	25	20	64	4.289	103	1.233
-13	129.9	26	19.14	65	4.14	104	1.198
-12	123	27	18.13	66	3.998	105	1.164
-11	116.5	28	17.55	67	3.861	106	1.131
-10	110.3	29	16.8	68	3.729	107	1.099
-9	104.6	30	16.1	69	3.603	108	1.069
-8	99.13	31	15.43	70	3.481	109	1.039
-7	94	32	14.79	71	3.364	110	1.01
-6	89.17	33	14.18	72	3.252	111	0.983
-5	84.61	34	13.59	73	3.144	112	0.956
-4	80.31	35	13.04	74	3.04	113	0.93
-3	76.24	36	12.51	75	2.94	114	0.904
-2	72.41	37	12	76	2.844	115	0.88
-1	68.79	38	11.52	77	2.752	116	0.856
0	65.37	39	11.06	78	2.663	117	0.833
1	62.13	40	10.62	79	2.577	118	0.811
2	59.08	41	10.2	80	2.495	119	0.77
3	56.19	42	9.803	81	2.415	120	0.769
4	53.46	43	9.42	82	2.339	121	0.746
5	50.87	44	9.054	83	2.265	122	0.729
6	48.42	45	8.705	84	2.194	123	0.71
7	46.11	46	8.37	85	2.125	124	0.692
8	43.92	47	8.051	86	2.059	125	0.674
9	41.84	48	7.745	87	1.996	126	0.658
10	39.87	49	7.453	88	1.934	127	0.64
11	38.01	50	7.173	89	1.875	128	0.623
12	36.24	51	6.905	90	1.818	129	0.607
13	34.57	52	6.648	91	1.736	130	0.592
14	32.98	53	6.403	92	1.71	131	0.577
15	31.47	54	6.167	93	1.658	132	0.563
16	30.04	55	5.942	94	1.609	133	0.549
17	28.68	56	5.726	95	1.561	134	0.535
18	27.39	57	5.519	96	1.515	135	0.521
19	26.17	58	5.32	97	1.47	136	0.509

Resistance Table of Discharge Temperature Sensor for Outdoor(50K)

Temp(°C)	Resistance(kΩ)		Temp(°C)	Resistance(kΩ)		Temp(°C)	Resistance(kΩ)		Temp(°C)	Resistance(kΩ)
-29	853.5		10	98		49	18.34		88	4.75
-28	799.8		11	93.42		50	17.65		89	4.61
-27	750		12	89.07		51	16.99		90	4.47
-26	703.8		13	84.95		52	16.36		91	4.33
-25	660.8		14	81.05		53	15.75		92	4.20
-24	620.8		15	77.35		54	15.17		93	4.08
-23	580.6		16	73.83		55	14.62		94	3.96
-22	548.9		17	70.5		56	14.09		95	3.84
-21	516.6		18	67.34		57	13.58		96	3.73
-20	486.5		19	64.33		58	13.09		97	3.62
-19	458.3		20	61.48		59	12.62		98	3.51
-18	432		21	58.77		60	12.17		99	3.41
-17	407.4		22	56.19		61	11.74		100	3.32
-16	384.5		23	53.74		62	11.32		101	3.22
-15	362.9		24	51.41		63	10.93		102	3.13
-14	342.8		25	49.19		64	10.54		103	3.04
-13	323.9		26	47.08		65	10.18		104	2.96
-12	306.2		27	45.07		66	9.83		105	2.87
-11	289.6		28	43.16		67	9.49		106	2.79
-10	274		29	41.34		68	9.17		107	2.72
-9	259.3		30	39.61		69	8.85		108	2.64
-8	245.6		31	37.96		70	8.56		109	2.57
-7	232.6		32	36.38		71	8.27		110	2.50
-6	220.5		33	34.88		72	7.99		111	2.43
-5	209		34	33.45		73	7.73		112	2.37
-4	198.3		35	32.09		74	7.47		113	2.30
-3	199.1		36	30.79		75	7.22		114	2.24
-2	178.5		37	29.54		76	7.00		115	2.18
-1	169.5		38	28.36		77	6.76		116	2.12
0	161		39	27.23		78	6.54		117	2.07
1	153		40	26.15		79	6.33		118	2.02
2	145.4		41	25.11		80	6.13		119	1.96
3	138.3		42	24.13		81	5.93		120	1.91
4	131.5		43	23.19		82	5.75		121	1.86
5	125.1		44	22.29		83	5.57		122	1.82
6	119.1		45	21.43		84	5.39		123	1.77
7	113.4		46	20.6		85	5.22		124	1.73
8	108		47	19.81		86	5.06		125	1.68
9	102.8		48	19.06		87	4.90		126	1.64

Due to ongoing product improvements, specifications and dimensions are subject to change and correction without notice or incurring obligations. Determining the application and suitability for use of any product is the responsibility of the installer. Additionally, the installer is responsible for verifying dimensional data on the actual product prior to beginning any installation preparations.

Incentive and rebate programs have precise requirements as to product performance and certification. All products meet applicable regulations in effect on date of manufacture; however, certifications are not necessarily granted for the life of a product. Therefore, it is the responsibility of the applicant to determine whether a specific model qualifies for these incentive/rebate programs.

Comfort-Aire® 

1900 Wellworth Ave., Jackson, MI 49203 • Ph. 517-787-2100 • www.marsdelivers.com

